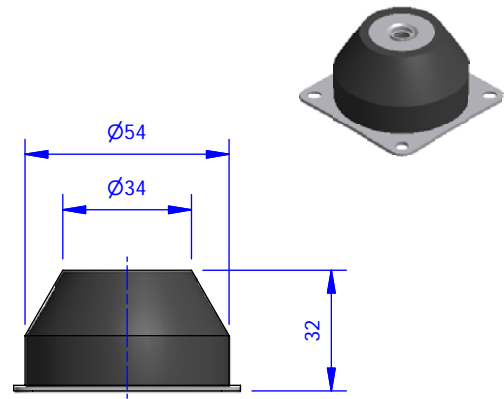
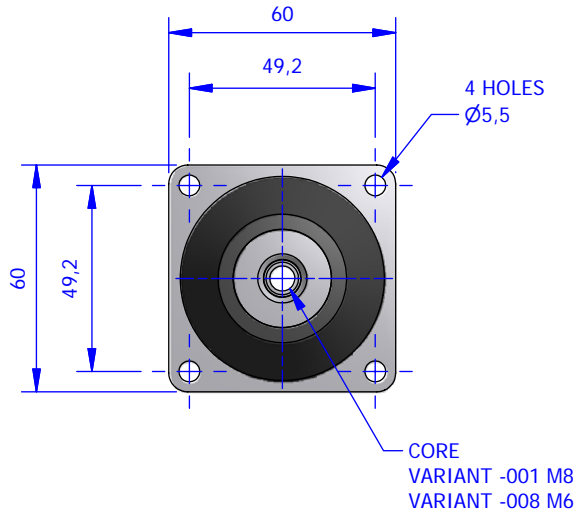


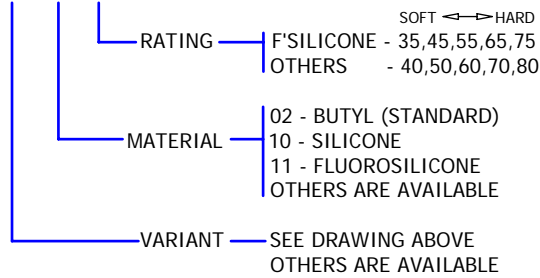
ED64 LIGHT DUTY ISOLATOR



DIMENSIONS: mm
MASS: APPROX 160g

NUMBERING SYSTEM

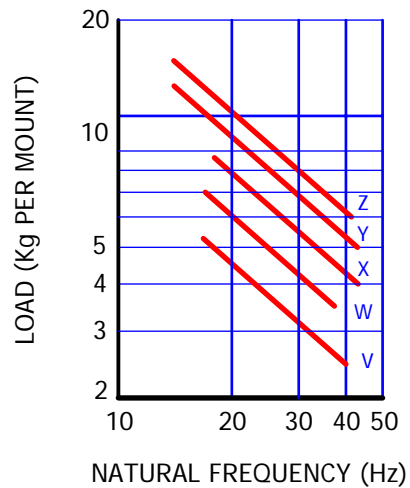
ED64-XXX-YY-ZZ



DEFLECTION CAPABILITY

VERTICAL (AXIAL) ± 6 mm
RADIAL ± 4 mm

TYPICAL PERFORMANCE (VERTICAL)



RATING (kg PER MOUNT = $\frac{\text{Mass of Unit}}{\text{Number of Mounts}}$)

PART NUMBER	LOAD PER MOUNT (Kg)	GRAPH
ED64 - XXX - YY - 40	2.5 - 5.5	V
ED64 - XXX - YY - 50	3.5 - 7	W
ED64 - XXX - YY - 60	4 - 8.5	X
ED64 - XXX - YY - 70	5 - 12	Y
ED64 - XXX - YY - 80	6 - 14	Z

MATERIALS

ELASTOMER - SPECIFIED BY PART NUMBER
METAL - BRIGHT ZINC PLATED MILD STEEL



engineering dynamics

DESIGN > MANUFACTURE > BESPOKE > PROTOTYPE > STANDARD

Anti Vibration Mounts - Vibration Isolators - Shock Isolators
Vibration Testing - Vibration Fixtures - Rubber Mouldings



MANUFACTURED
IN THE UK

VIBRATION • SHOCK • ISOLATION • TESTING

Watt Close, East Portway, Andover, Hants SP10 3TG Tel +44(0)1264 350778 Fax +44(0)1264 334215
www.engdynamics.co.uk info@engdynamics.co.uk