

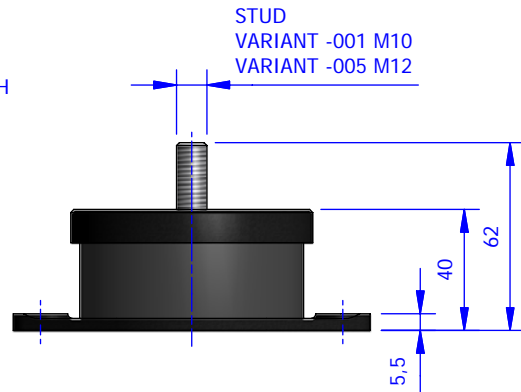
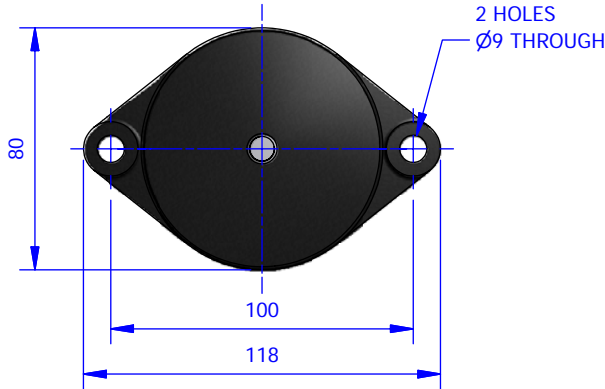
ED35 LOW PROFILE BASE MOUNT



ED35-001-YY-ZZ



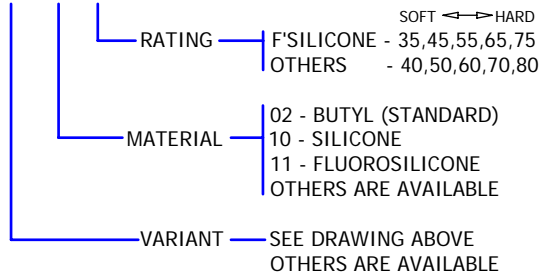
ED35-005-YY-ZZ



DIMENSIONS: mm
MASS: APPROX 210g

NUMBERING SYSTEM

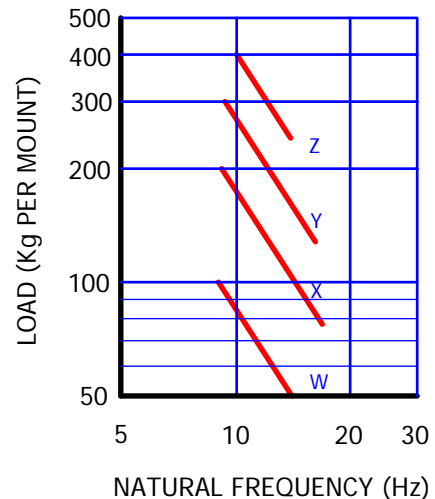
ED35-XXX-YY-ZZ



DEFLECTION CAPABILITY

VERTICAL (AXIAL) ± 3 mm

TYPICAL PERFORMANCE (VERTICAL)



RATING (kg PER MOUNT = $\frac{\text{Mass of Unit}}{\text{Number of Mounts}}$)

PART NUMBER	LOAD PER MOUNT (Kg)	GRAPH
ED35 - XXX - YY - 50	50 - 100	W
ED35 - XXX - YY - 60	75 - 200	X
ED35 - XXX - YY - 70	150 - 300	Y
ED35 - XXX - YY - 80	250 - 400	Z

MATERIALS

ELASTOMER - SPECIFIED BY PART NUMBER
METAL - PAINTED CAST IRON BASE AND TOP



engineering dynamics

DESIGN > MANUFACTURE > BESPOKE > PROTOTYPE > STANDARD

Anti Vibration Mounts - Vibration Isolators - Shock Isolators
Vibration Testing - Vibration Fixtures - Rubber Mouldings



MANUFACTURED
IN THE UK

VIBRATION • SHOCK • ISOLATION • TESTING

Watt Close, East Portway, Andover, Hants SP10 3TG Tel +44(0)1264 350778 Fax +44(0)1264 334215
www.engdynamics.co.uk info@engdynamics.co.uk