

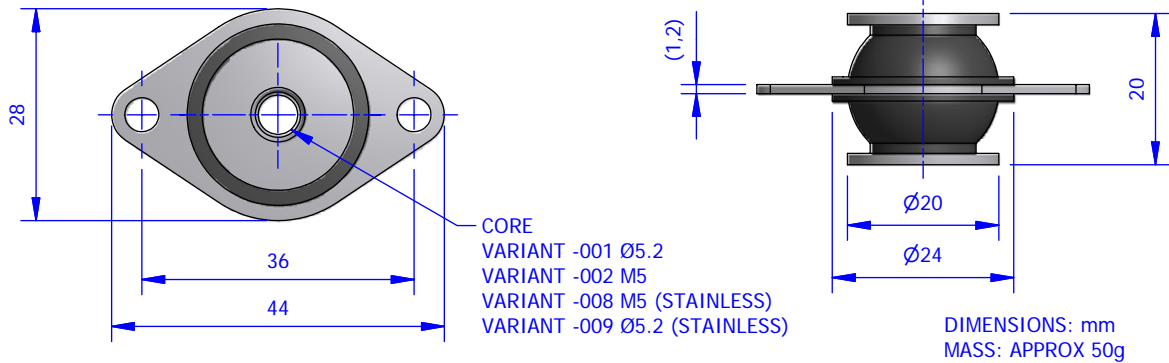
ED125 MINIATURE PLATE MOUNT



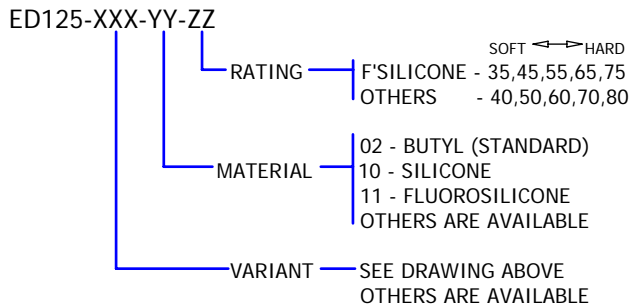
ED125-001-YY-ZZ



ED125-002-YY-ZZ



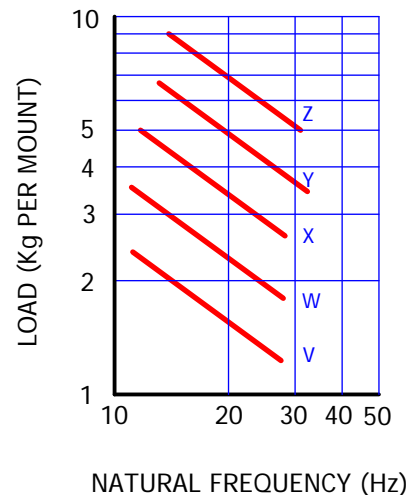
NUMBERING SYSTEM



DEFLECTION CAPABILITY

VERTICAL (AXIAL) ± 3 mm
 RADIAL ± 3 mm

TYPICAL PERFORMANCE (VERTICAL)



RATING (Kg PER MOUNT = $\frac{\text{Mass of Unit}}{\text{Number of Mounts}}$)

PART NUMBER	LOAD PER MOUNT (Kg)	GRAPH
ED125 - XXX - YY - 40	1.3 - 2.5	V
ED125 - XXX - YY - 50	1.8 - 3.8	W
ED125 - XXX - YY - 60	2.5 - 5	X
ED125 - XXX - YY - 70	3.5 - 7	Y
ED125 - XXX - YY - 80	5 - 9	Z

MATERIALS

ELASTOMER - SPECIFIED BY PART NUMBER
 METAL - BZP MILD STEEL
 OTHERS ARE AVAILABLE



engineering dynamics

DESIGN > MANUFACTURE > BESPOKE > PROTOTYPE > STANDARD

Anti Vibration Mounts - Vibration Isolators - Shock Isolators
Vibration Testing - Vibration Fixtures - Rubber Mouldings



MANUFACTURED
IN THE UK

VIBRATION • SHOCK • ISOLATION • TESTING

Watt Close, East Portway, Andover, Hants SP10 3TG Tel +44(0)1264 350778 Fax +44(0)1264 334215
www.engdynamics.co.uk info@engdynamics.co.uk