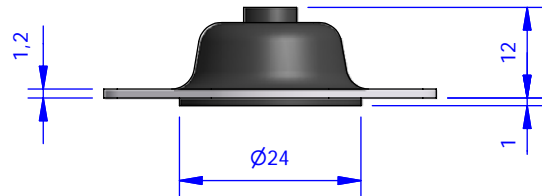
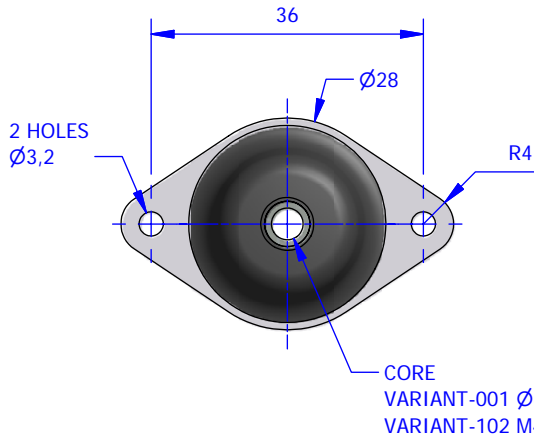


ED72 MINIATURE BASE ISOLATOR



ED72-001

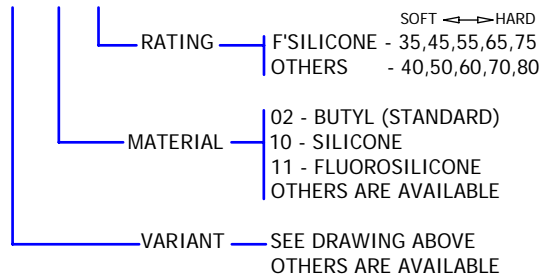
ED72-102 THICK WALL



DIMENSIONS: mm
MASS: APPROX 40g

NUMBERING SYSTEM

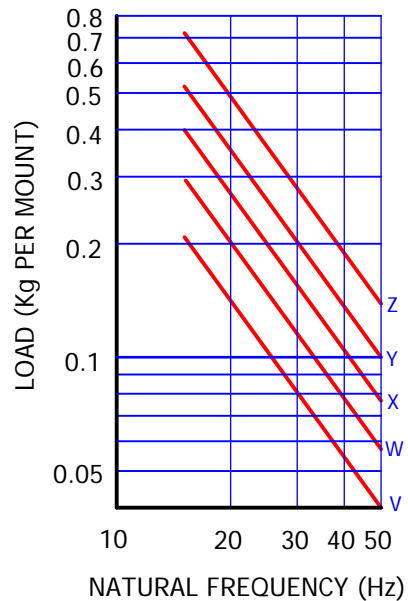
ED72-XXX-YY-ZZ



DEFLECTION CAPABILITY

VERTICAL ± 2 mm
RADIAL ± 2 mm

PERFORMANCE (ED72-001 VERTICAL)



RATING (kg PER MOUNT = $\frac{\text{Mass of Unit}}{\text{Number of Mounts}}$)

PART NUMBER	LOAD PER MOUNT (Kg)	GRAPH
ED72 - 001 - YY - 40	0.04 - 0.2	V
ED72 - 001 - YY - 50	0.06 - 0.25	W
ED72 - 001 - YY - 60	0.08 - 0.35	X
ED72 - 001 - YY - 70	0.1 - 0.5	Y
ED72 - 001 - YY - 80	0.15 - 0.7	Z

MATERIALS

ELASTOMER - SPECIFIED BY PART NUMBER
METAL - ANODISED ALUMINIUM PLATE
BZP MILD STEEL CORE
OTHERS ARE AVAILABLE



engineering dynamics

DESIGN > MANUFACTURE > BESPOKE > PROTOTYPE > STANDARD

Anti Vibration Mounts - Vibration Isolators - Shock Isolators
Vibration Testing - Vibration Fixtures - Rubber Mouldings



MANUFACTURED
IN THE UK

VIBRATION • SHOCK • ISOLATION • TESTING

Watt Close, East Portway, Andover, Hants SP10 3TG Tel +44(0)1264 350778 Fax +44(0)1264 334215
www.engdynamics.co.uk info@engdynamics.co.uk