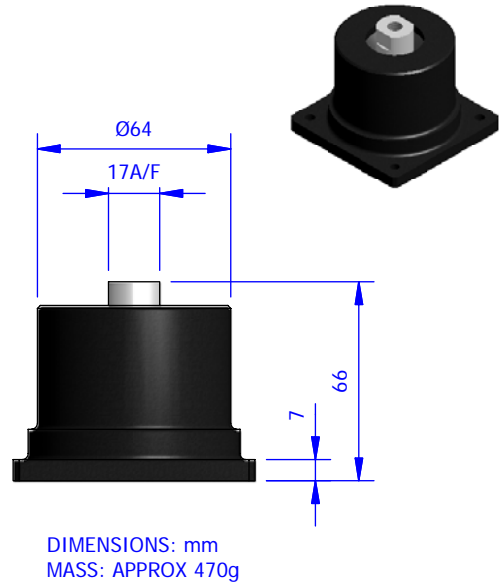
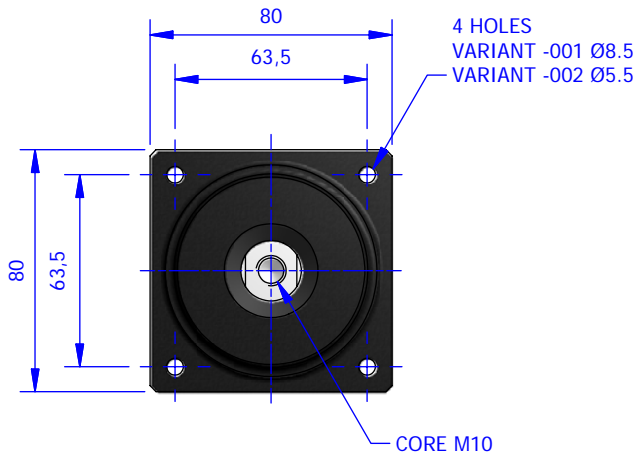
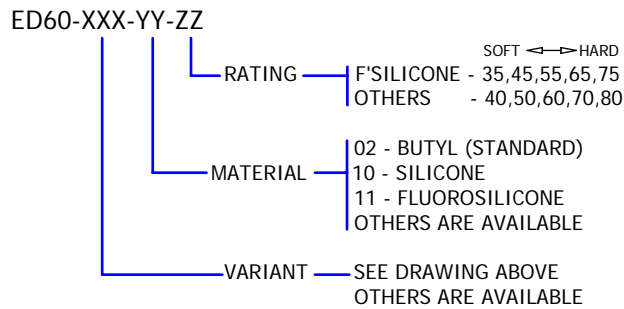


# ED60 MEDIUM DUTY SURFACE MOUNT



DIMENSIONS: mm  
MASS: APPROX 470g

## NUMBERING SYSTEM

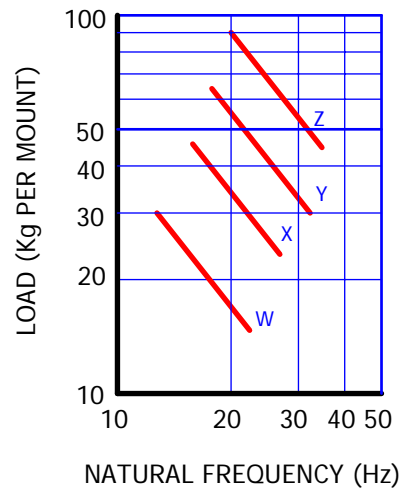


## DEFLECTION CAPABILITY

VERTICAL (AXIAL) ± 10 mm

RADIAL ± 5 mm

## TYPICAL PERFORMANCE (VERTICAL)



RATING (kg PER MOUNT =  $\frac{\text{Mass of Unit}}{\text{Number of Mounts}}$ )

PART NUMBER	LOAD PER MOUNT (Kg)	GRAPH
ED60 - XXX - YY - 50	15 - 30	W
ED60 - XXX - YY - 60	25 - 45	X
ED60 - XXX - YY - 70	30 - 65	Y
ED60 - XXX - YY - 80	45 - 90	Z

## MATERIALS

ELASTOMER - SPECIFIED BY PART NUMBER  
METAL - ALUMINIUM HOUSING  
BRIGHT ZINC PLATED MILD STEEL CORE



**engineering dynamics**

DESIGN > MANUFACTURE > BESPOKE > PROTOTYPE > STANDARD

Anti Vibration Mounts - Vibration Isolators - Shock Isolators  
Vibration Testing - Vibration Fixtures - Rubber Mouldings



MANUFACTURED  
IN THE UK

VIBRATION • SHOCK • ISOLATION • TESTING

Watt Close, East Portway, Andover, Hants SP10 3TG Tel +44(0)1264 350778 Fax +44(0)1264 334215  
www.engdynamics.co.uk info@engdynamics.co.uk