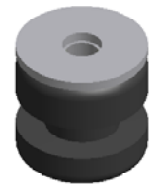
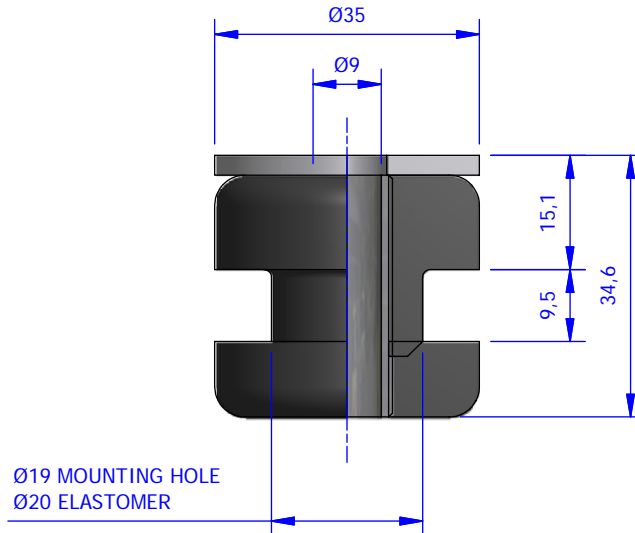


ED126 BUSH MOUNT

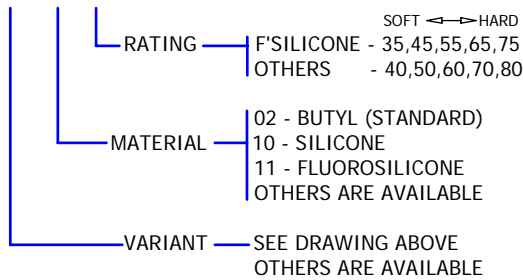


DIMENSIONS: mm
MASS: APPROX 80g



NUMBERING SYSTEM

ED126-XXX-YY-ZZ

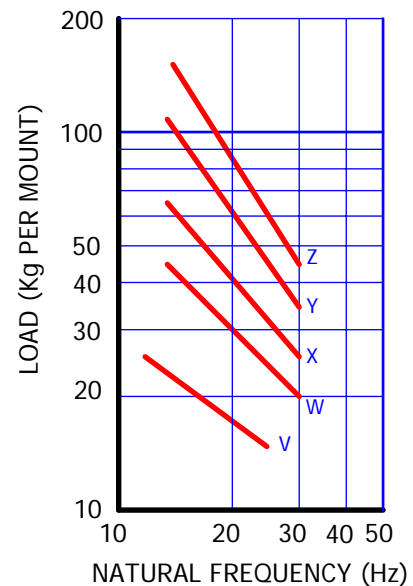


DEFLECTION CAPABILITY

VERTICAL (AXIAL) ± 2 mm

RADIAL ± 1 mm

TYPICAL PERFORMANCE (VERTICAL)



RATING (Kg PER MOUNT = $\frac{\text{Mass of Unit}}{\text{Number of Mounts}}$)

PART NUMBER	LOAD PER MOUNT (Kg)	GRAPH
ED126 - XXX - YY - 40	15 - 25	V
ED126 - XXX - YY - 50	20 - 45	W
ED126 - XXX - YY - 60	25 - 65	X
ED126 - XXX - YY - 70	35 - 115	Y
ED126 - XXX - YY - 80	45 - 155	Z

MATERIALS

ELASTOMER - SPECIFIED BY PART NUMBER
METAL - BRIGHT ZINC PLATED STEEL
OTHERS ARE AVAILABLE



engineering dynamics

DESIGN > MANUFACTURE > BESPOKE > PROTOTYPE > STANDARD

Anti Vibration Mounts - Vibration Isolators - Shock Isolators
Vibration Testing - Vibration Fixtures - Rubber Mouldings



MANUFACTURED
IN THE UK

VIBRATION • SHOCK • ISOLATION • TESTING

Watt Close, East Portway, Andover, Hants SP10 3TG Tel +44(0)1264 350778 Fax +44(0)1264 334215
www.engdynamics.co.uk info@engdynamics.co.uk