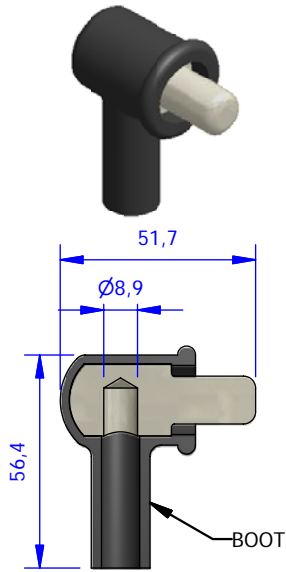
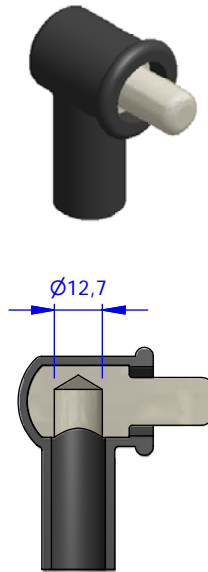


ANGLED PLUG CONNECTORS

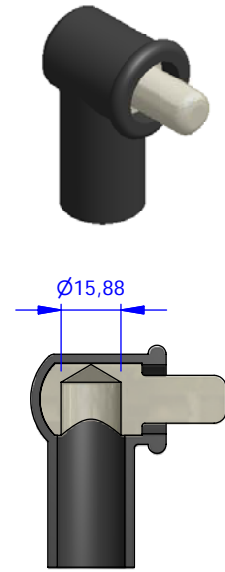
LOW TEMPERATURE (MAXIMUM 100°C)



ED20-020
EQUIV TO FV292428
LOW TEMPERATURE
CABEL SIZE 2 AWG

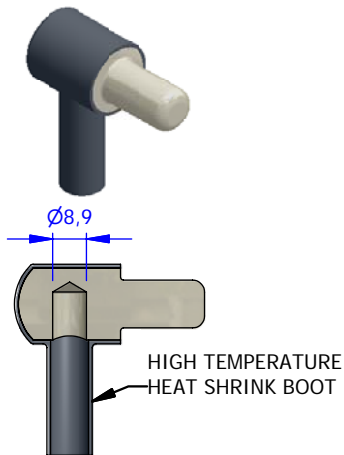


ED20-021
EQUIV TO FV292425
LOW TEMPERATURE
CABLE SIZE 00 AWG

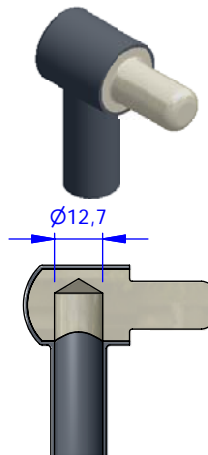


ED20-022
EQUIV TO FV292422
LOW TEMPERATURE
CABLE SIZE 0000 AWG

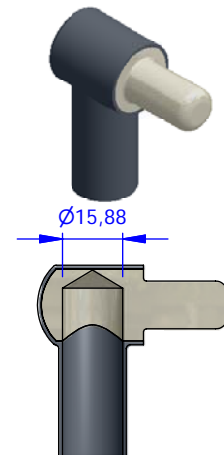
HIGH TEMPERATURE (MAXIMUM 200°C)



ED20-012
EQUIV TO FV892683
HIGH TEMPERATURE
CABLE SIZE 2 AWG



ED20-007
EQUIV TO FV892682
HIGH TEMPERATURE
CABLE SIZE 00 AWG



ED20-004
EQUIV TO FV892681
HIGH TEMPERATURE
CABLE SIZE 0000 AWG

Engineering Connections are a selling company for Engineering Dynamics (Southern) Ltd
All connectors supplied are equivalent to the QRT FV range



engineering connections

MANUFACTURE > QRT RANGE > FV CONNECTORS
Single Pole - Bulkhead - Straight - Angle Plugs and Sockets
Quick Release - Harsh Environment - Specials - Spares



MANUFACTURED
IN THE UK

FIGHTING VEHICLE CONNECTORS

Watt Close, East Portway, Andover, Hants SP10 3TG Tel +44(0)1264 350778 Fax +44(0)1264 334215
www.engdynamics.co.uk info@engdynamics.co.uk