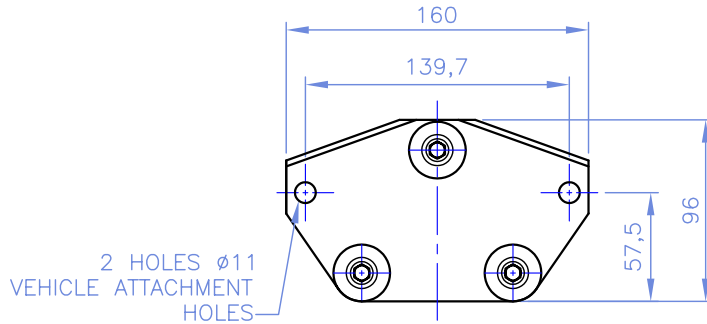


ED90 ANTI VIBRATION PLATE ASSEMBLIES

DIMENSIONS IN mm

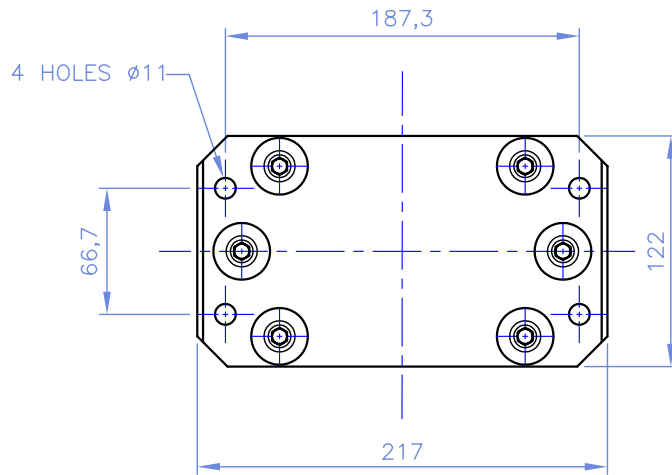
SIZE 1
ED90-004

LOAD RATING
0.5 - 2.0Kg



SIZE 2
ED90-005

LOAD RATING
1.0 - 3.0 Kg



THREAD M5x7 LONG
TYP 3 SIZES

SIZE 3
ED90-006

LOAD RATING
3.0 - 4.5 Kg

