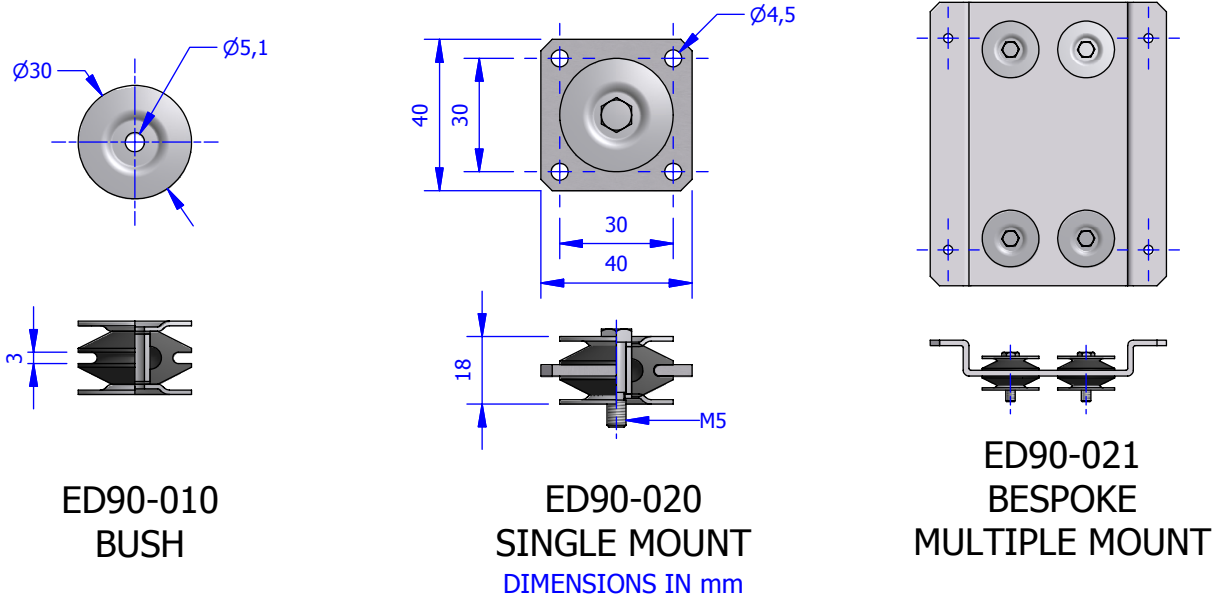
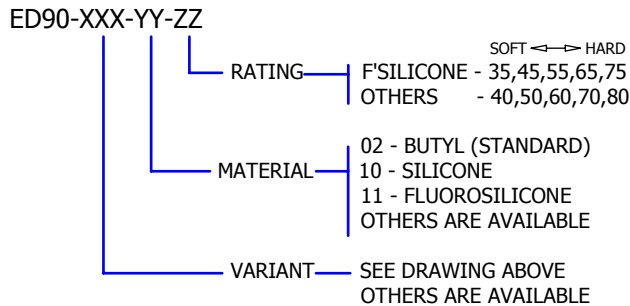


ED90 MINIATURE ISOLATOR



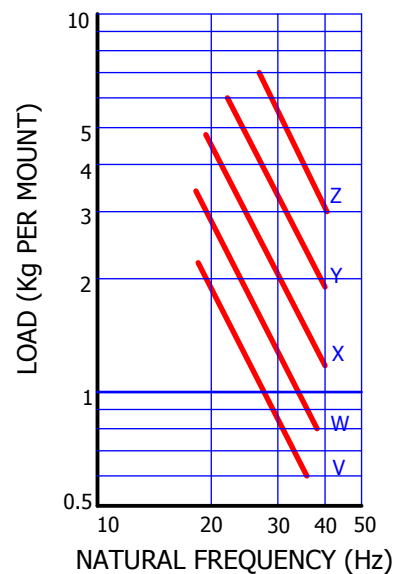
NUMBERING SYSTEM



DEFLECTION CAPABILITY

VERTICAL (AXIAL) ± 3 mm
 RADIAL ± 3 mm

TYPICAL PERFORMANCE (VERTICAL)



RATING (Kg PER MOUNT = $\frac{\text{Mass of Unit}}{\text{Number of Mounts}}$)

PART NUMBER	LOAD PER MOUNT (Kg)	GRAPH
ED90 - 020 - YY - 40	0.6 - 2.2	V
ED90 - 020 - YY - 50	0.8 - 3.4	W
ED90 - 020 - YY - 60	1.2 - 4.8	X
ED90 - 020 - YY - 70	1.8 - 6.0	Y
ED90 - 020 - YY - 80	3.0 - 7.0	Z

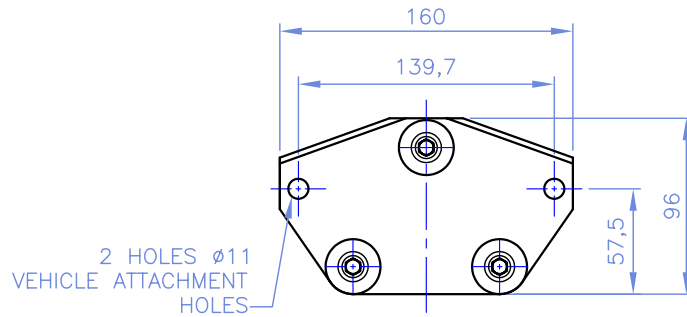
MATERIALS

ELASTOMER - SPECIFIED BY PART NUMBER
 METAL - ALUMINIUM PLATE
 STAINLESS STEEL CORE, BOLT & WASHERS
 OTHERS ARE AVAILABLE

ED90 ANTI VIBRATION PLATE ASSEMBLIES

SIZE 1
ED90-004

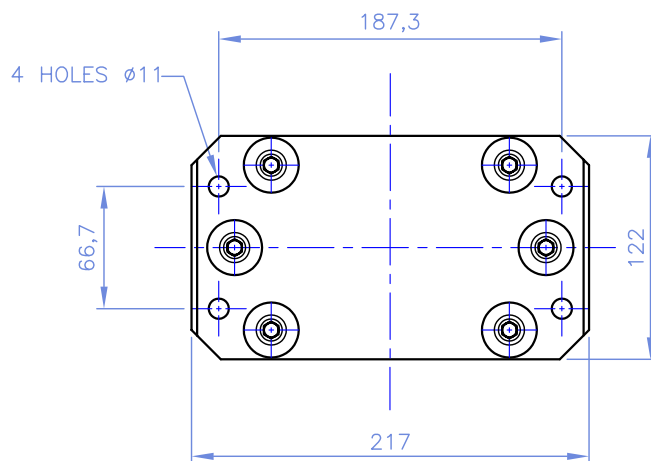
LOAD RATING
0.5 – 2.0Kg



DIMENSIONS IN mm

SIZE 2
ED90-005

LOAD RATING
1.0 – 3.0 Kg



THREAD M5x7 LONG
TYP 3 SIZES

SIZE 3
ED90-006

LOAD RATING
3.0 – 4.5 Kg

