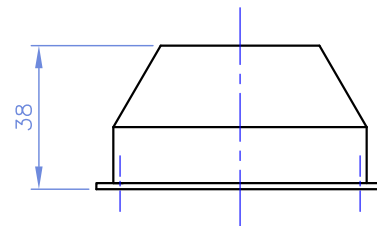
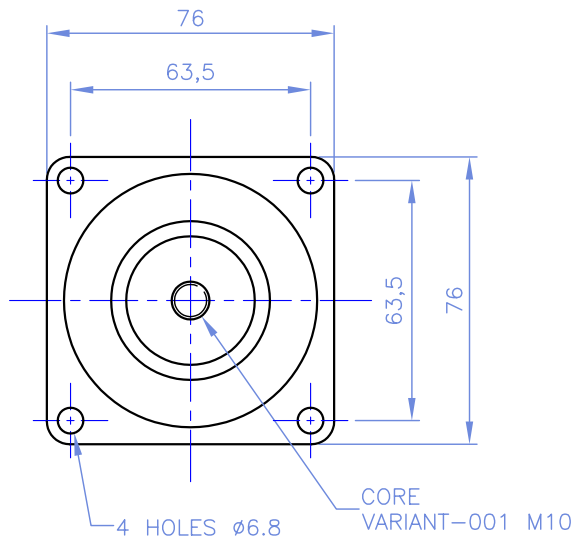


ED85 MEDIUM DUTY ISOLATOR



DIMENSIONS IN mm

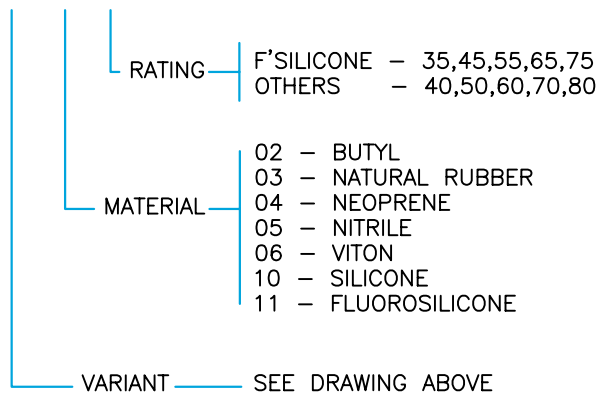
RATING	LOAD PER MOUNT Kg
ED85-XXX-YY-45	10 - 27
ED85-XXX-YY-55	17 - 38
ED85-XXX-YY-65	25 - 50
ED85-XXX-YY-75	40 - 75

DEFLECTION CAPABILITY

VERTICAL ± 8 mm
 RADIAL ± 6 mm

NUMBERING SYSTEM

ED85-XXX-YY-ZZ



TYPICAL PERFORMANCE

