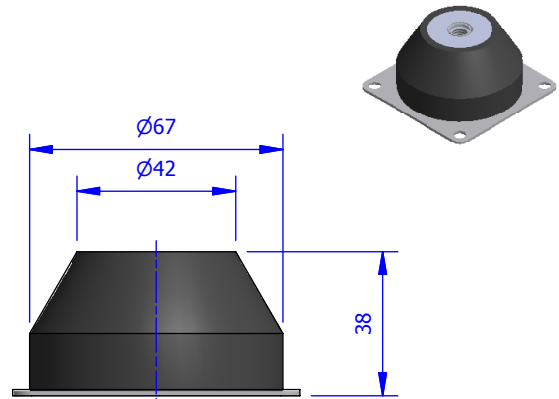
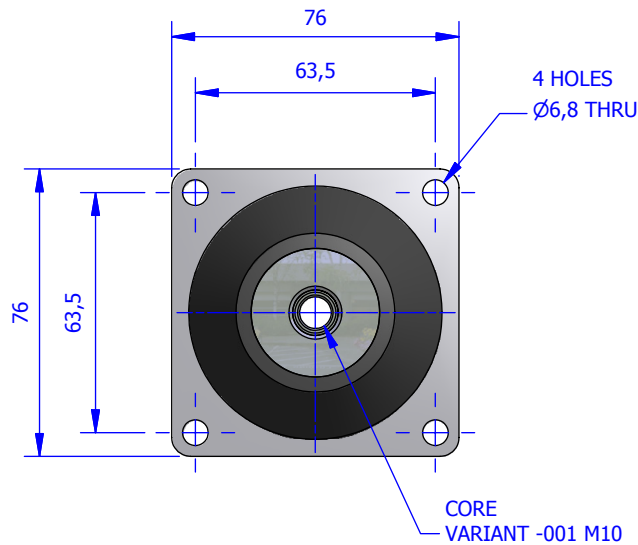


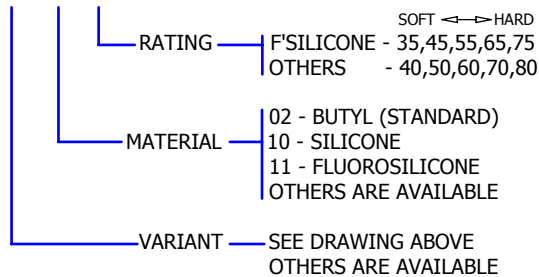
ED85 MEDIUM DUTY ISOLATOR



DIMENSIONS IN mm

NUMBERING SYSTEM

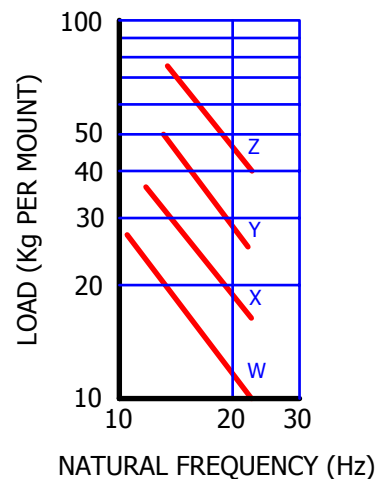
ED85-XXX-YY-ZZ



DEFLECTION CAPABILITY

VERTICAL (AXIAL) ± 8 mm
 RADIAL ± 6 mm

TYPICAL PERFORMANCE (VERTICAL)



RATING (Kg PER MOUNT)

PART NUMBER	LOAD PER MOUNT (Kg)	GRAPH
ED85 - XXX - YY - 50	10 - 27	W
ED85 - XXX - YY - 60	17 - 38	X
ED85 - XXX - YY - 70	25 - 50	Y
ED85 - XXX - YY - 80	40 - 75	Z

MATERIALS

ELASTOMER - SPECIFIED BY PART NUMBER
 METAL - BRIGHT ZINC PLATED MILD STEEL