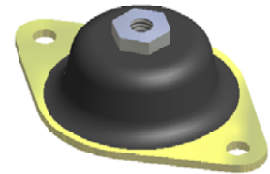
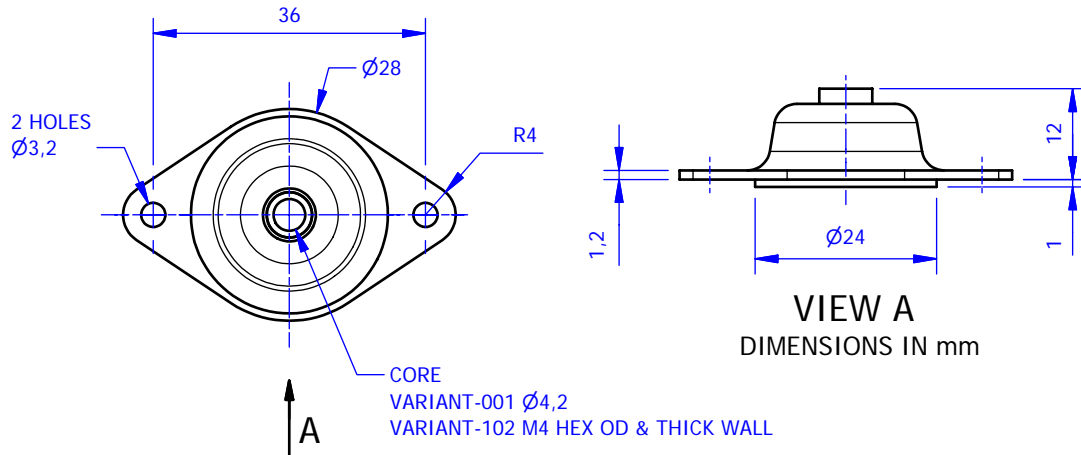


ED72-001

## ED72 MINIATURE BASE ISOLATOR

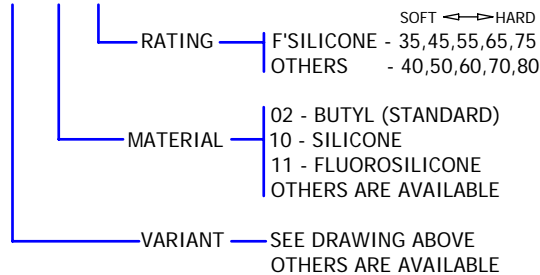


ED72-102  
THICK WALL



### NUMBERING SYSTEM

ED72-XXX-YY-ZZ



### RATING (Kg PER MOUNT)

PART NUMBER	LOAD PER MOUNT Kg	GRAPH
ED72 - 001 - YY - 35	0.04 - 0.2	V
ED72 - 001 - YY - 45	0.06 - 0.25	W
ED72 - 001 - YY - 55	0.08 - 0.35	X
ED72 - 001 - YY - 65	0.1 - 0.5	Y
ED72 - 001 - YY - 75	0.15 - 0.7	Z

### MATERIALS

ELASTOMER - SPECIFIED BY PART NUMBER  
 METAL - ANODISED ALUMINIUM PLATE  
 BZP MILD STEEL CORE  
 OTHERS ARE AVAILABLE

### DEFLECTION CAPABILITY

VERTICAL  $\pm 2$  mm  
 RADIAL  $\pm 2$  mm

### PERFORMANCE (ED72-001 VERTICAL)

