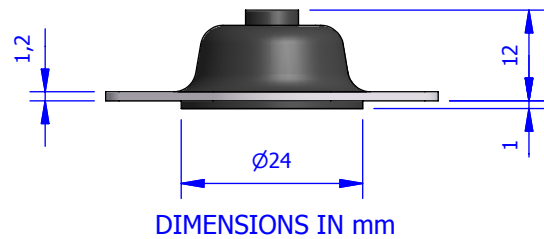
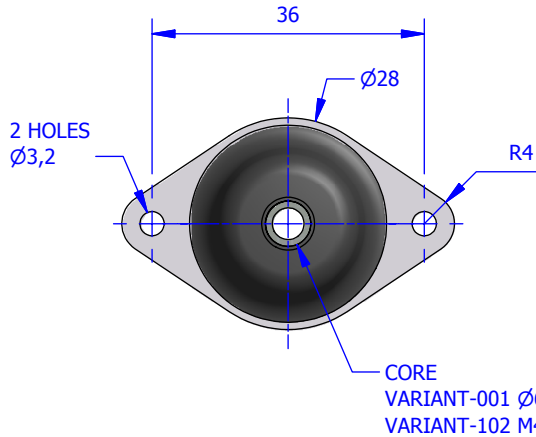


ED72 MINIATURE BASE ISOLATOR



ED72-001

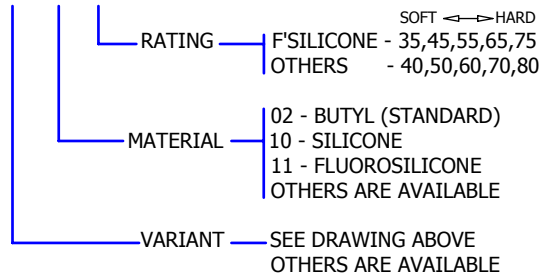
ED72-102
THICK WALL



DIMENSIONS IN mm

NUMBERING SYSTEM

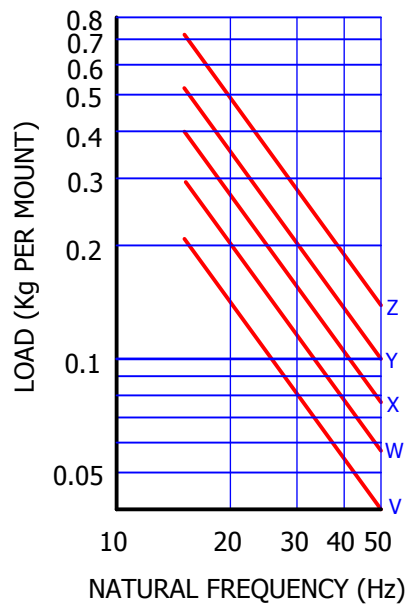
ED72-XXX-YY-ZZ



DEFLECTION CAPABILITY

VERTICAL	± 2 mm
RADIAL	± 2 mm

PERFORMANCE (ED72-001 VERTICAL)



RATING (Kg PER MOUNT = $\frac{\text{Mass of Unit}}{\text{Number of Mounts}}$)

PART NUMBER	LOAD PER MOUNT (Kg)	GRAPH
ED72 - 001 - YY - 40	0.04 - 0.2	V
ED72 - 001 - YY - 50	0.06 - 0.25	W
ED72 - 001 - YY - 60	0.08 - 0.35	X
ED72 - 001 - YY - 70	0.1 - 0.5	Y
ED72 - 001 - YY - 80	0.15 - 0.7	Z

MATERIALS

ELASTOMER - SPECIFIED BY PART NUMBER
 METAL - ANODISED ALUMINIUM PLATE
 BZP MILD STEEL CORE
 OTHERS ARE AVAILABLE