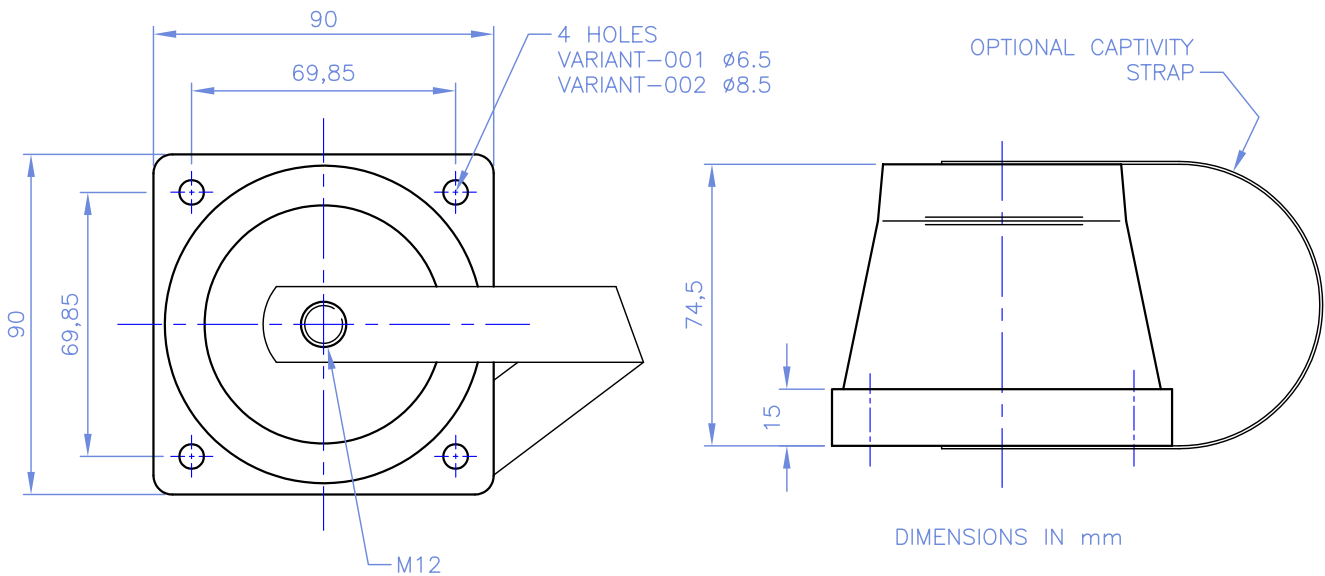


ED69 MEDIUM DUTY FOOT MOUNT

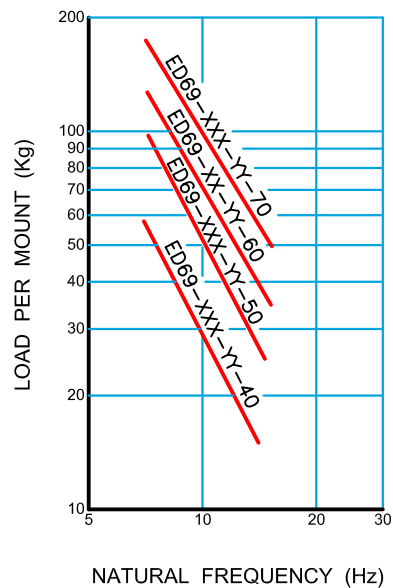


RATING	LOAD PER MOUNT Kg
ED69-XXX-YY-40	15 - 55
ED69-XXX-YY-50	25 - 100
ED69-XXX-YY-60	35 - 125
ED69-XXX-YY-70	50 - 175

DEFLECTION CAPABILITY

VERTICAL ± 10 mm
 RADIAL ± 8 mm

TYPICAL PERFORMANCE



NUMBERING SYSTEM

ED69-XXX-YY-ZZ

