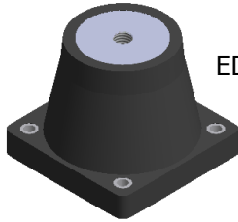
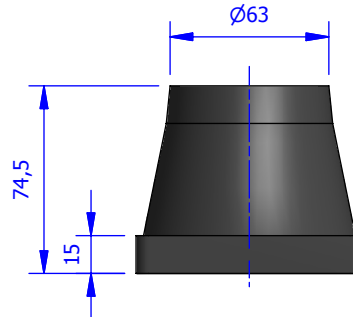
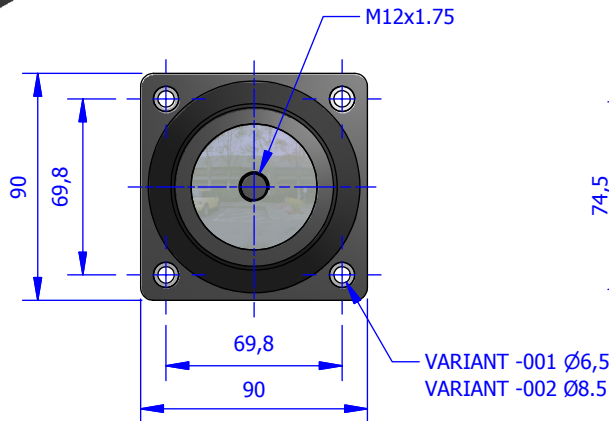
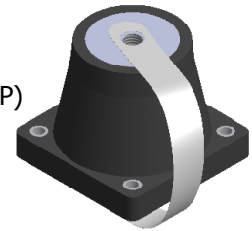


ED69 MEDIUM DUTY SHOCK MOUNT



ED69-001-YY-ZZ

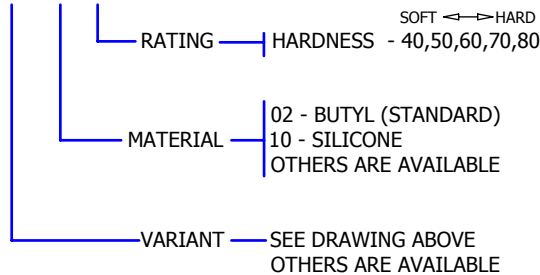
ED69-101-YY-ZZ
(c/w CAPTIVITY STRAP)



DIMENSIONS IN mm

NUMBERING SYSTEM

ED69-XXX-YY-ZZ

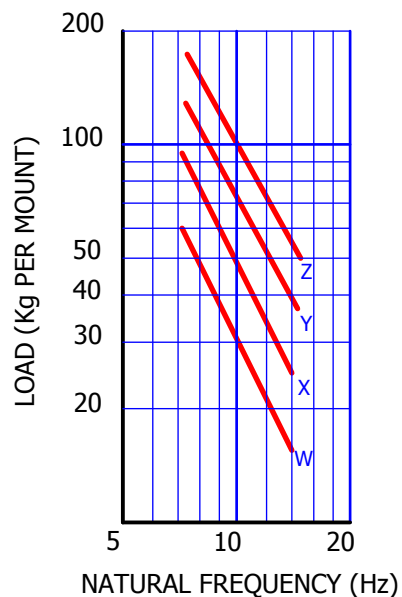


DEFLECTION CAPABILITY

VERTICAL (AXIAL) ± 10 mm

RADIAL ± 8 mm

TYPICAL PERFORMANCE (VERTICAL)



RATING (Kg PER MOUNT = $\frac{\text{Mass of Unit}}{\text{Number of Mounts}}$)

PART NUMBER	LOAD PER MOUNT (Kg)	GRAPH
ED69 - XXX - YY - 40	15 - 55	W
ED69 - XXX - YY - 50	25 - 100	X
ED69 - XXX - YY - 60	35 - 125	Y
ED69 - XXX - YY - 70	50 - 175	Z

MATERIALS

ELASTOMER - SPECIFIED BY PART NUMBER
 METAL - ALUMINIUM BASE AND BOSS
 COPPER CAPTIVITY STRAP
 OTHERS ARE AVAILABLE