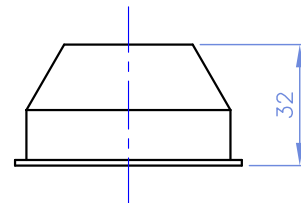
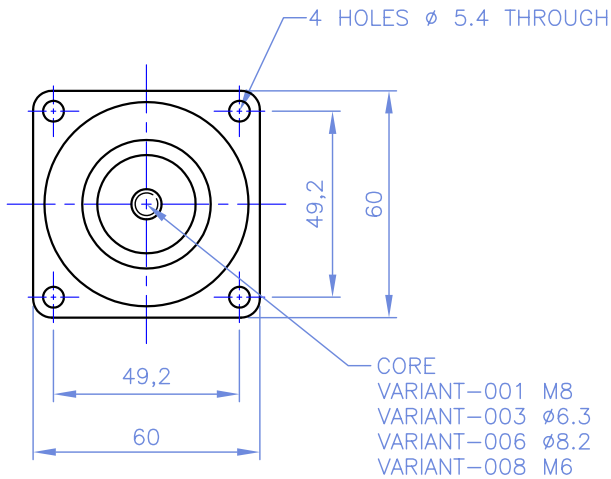


ED64 LIGHT DUTY ISOLATOR



DIMENSIONS IN mm

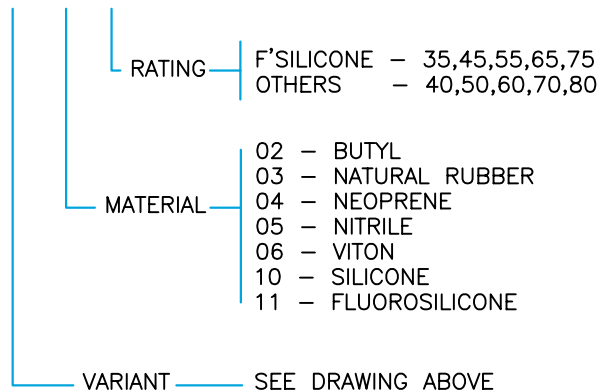
RATING	LOAD PER MOUNT Kg
ED64-XXX-YY-35	2.5 - 5.5
ED64-XXX-YY-45	3.5 - 7
ED64-XXX-YY-55	4 - 8.5
ED64-XXX-YY-65	5 - 12
ED64-XXX-YY-75	6 - 14

DEFLECTION CAPABILITY

VERTICAL ± 6 mm
 RADIAL ± 4 mm

NUMBERING SYSTEM

ED64-XXX-YY-ZZ



TYPICAL PERFORMANCE

