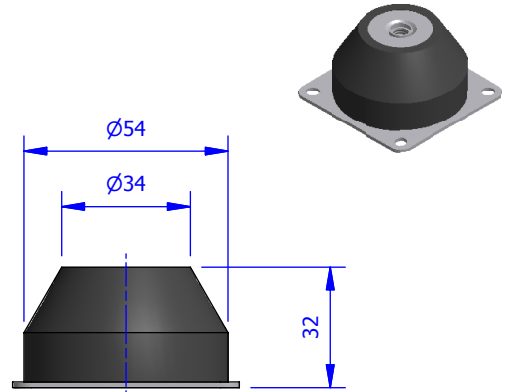
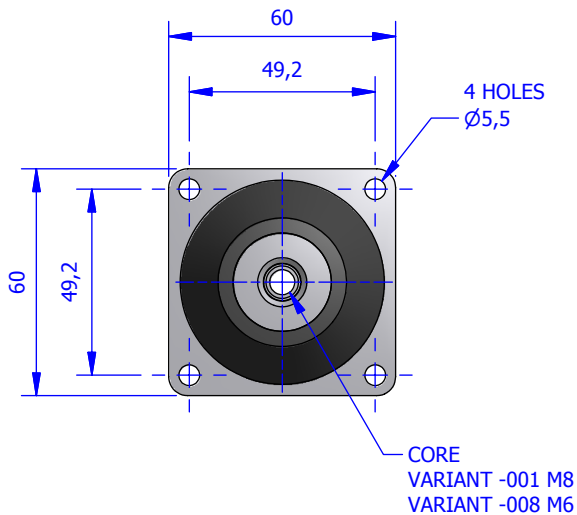


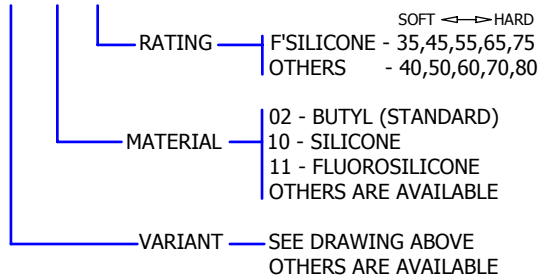
ED64 LIGHT DUTY ISOLATOR



DIMENSIONS IN mm

NUMBERING SYSTEM

ED64-XXX-YY-ZZ

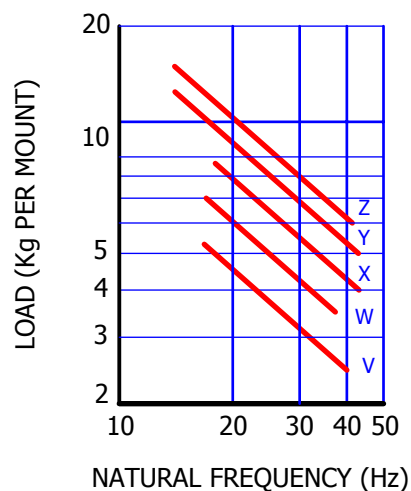


DEFLECTION CAPABILITY

VERTICAL (AXIAL) ± 6 mm

RADIAL ± 4 mm

TYPICAL PERFORMANCE (VERTICAL)



RATING (Kg PER MOUNT)

PART NUMBER	LOAD PER MOUNT (Kg)	GRAPH
ED64 - XXX - YY - 40	2.5 - 5.5	V
ED64 - XXX - YY - 50	3.5 - 7	W
ED64 - XXX - YY - 60	4 - 8.5	X
ED64 - XXX - YY - 70	5 - 12	Y
ED64 - XXX - YY - 80	6 - 14	Z

MATERIALS

ELASTOMER - SPECIFIED BY PART NUMBER
 METAL - BRIGHT ZINC PLATED MILD STEEL