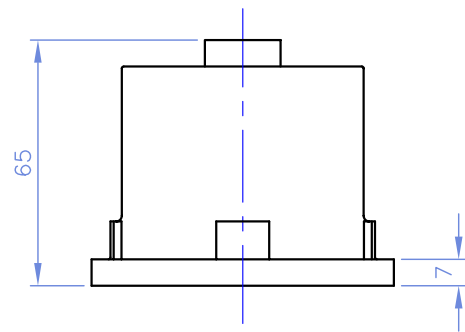
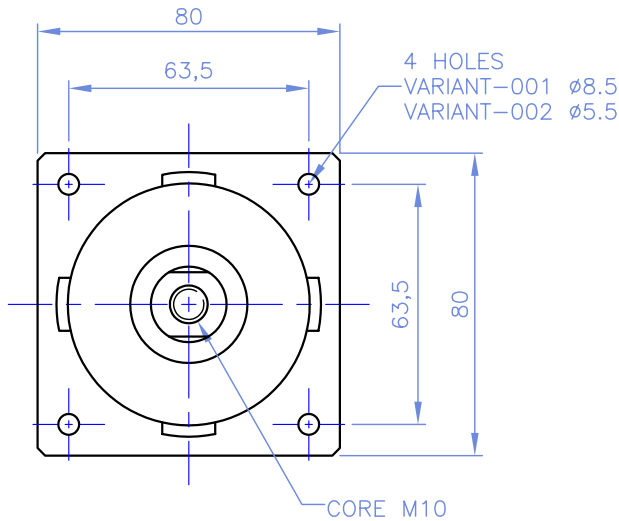


ED60 MEDIUM DUTY SURFACE MOUNT



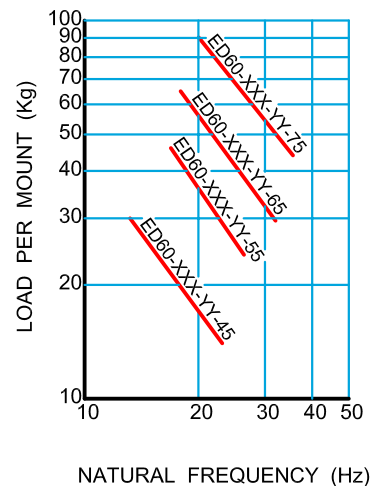
DIMENSIONS IN mm

RATING	LOAD PER MOUNT Kg
ED60-XXX-YY-45	15 - 30
ED60-XXX-YY-55	25 - 45
ED60-XXX-YY-65	30 - 65
ED60-XXX-YY-75	45 - 90

DEFLECTION CAPABILITY

VERTICAL ± 10 mm
 RADIAL ± 10 mm

TYPICAL PERFORMANCE



NUMBERING SYSTEM

ED60-XXX-YY-ZZ

