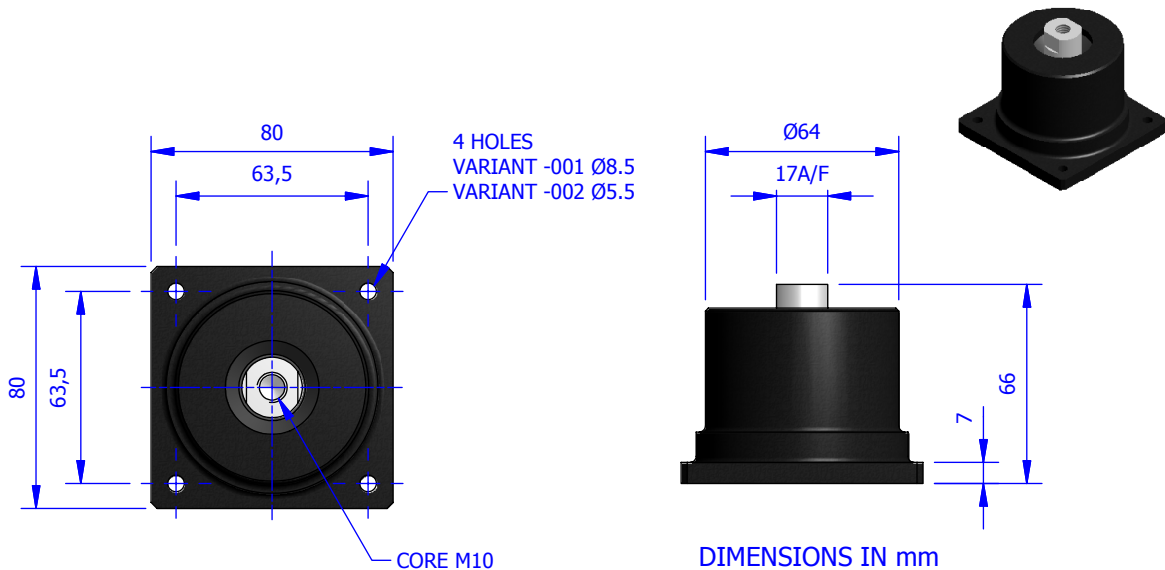
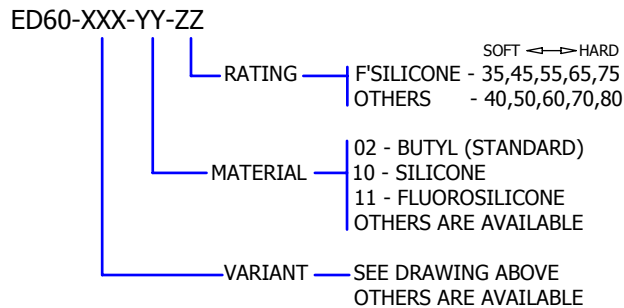


## ED60 MEDIUM DUTY SURFACE MOUNT



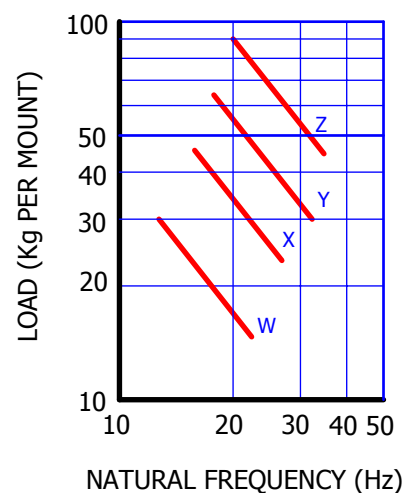
### NUMBERING SYSTEM



### DEFLECTION CAPABILITY

VERTICAL (AXIAL) ± 10 mm  
 RADIAL ± 10 mm

### TYPICAL PERFORMANCE (VERTICAL)



**RATING** (Kg PER MOUNT =  $\frac{\text{Mass of Unit}}{\text{Number of Mounts}}$ )

PART NUMBER	LOAD PER MOUNT (Kg)	GRAPH
ED60 - XXX - YY - 50	15 - 30	W
ED60 - XXX - YY - 60	25 - 45	X
ED60 - XXX - YY - 70	30 - 65	Y
ED60 - XXX - YY - 80	45 - 90	Z

### MATERIALS

ELASTOMER - SPECIFIED BY PART NUMBER  
 METAL - ALUMINIUM HOUSING  
 BRIGHT ZINC PLATED MILD STEEL CORE