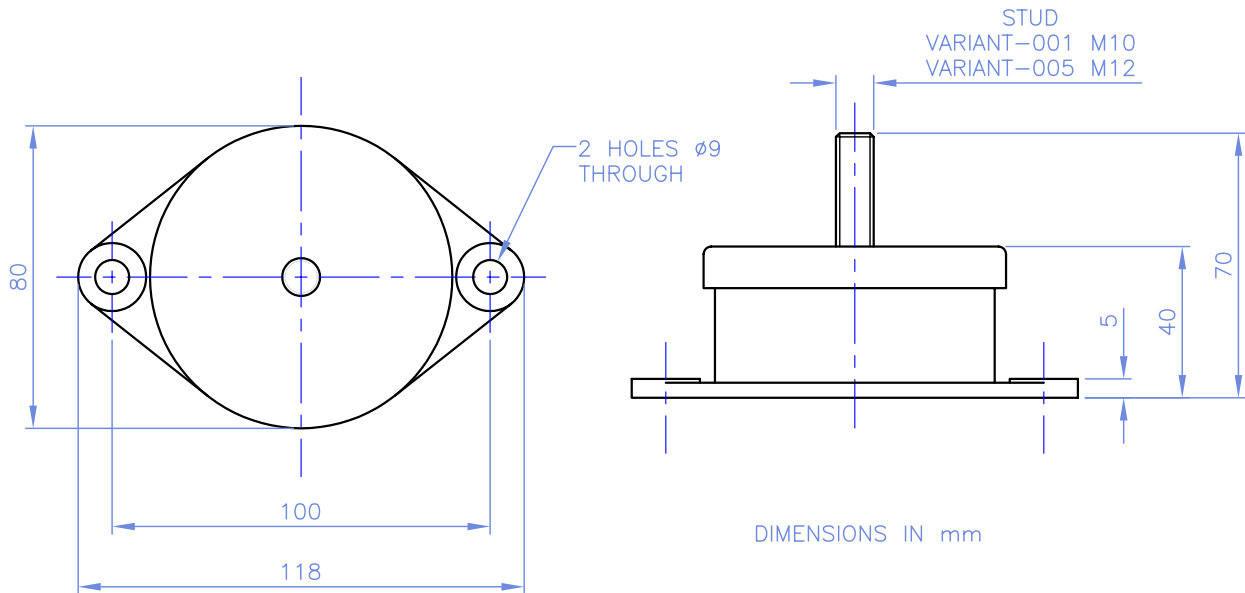


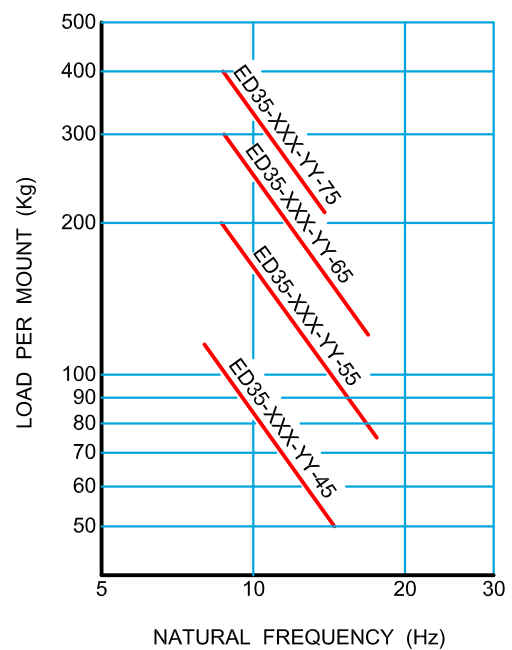
## ED35 LOW PROFILE BASE MOUNT



RATING	LOAD PER MOUNT Kg
ED35-XXX-YY-45	50 - 100
ED35-XXX-YY-55	75 - 200
ED35-XXX-YY-65	150 - 300
ED35-XXX-YY-75	250 - 400

**DEFLECTION CAPABILITY**  
 VERTICAL  $\pm 6$  mm

### TYPICAL PERFORMANCE



### NUMBERING SYSTEM

ED35-XXX-YY-ZZ

RATING — F'SILICONE — 35,45,55,65,75  
 OTHERS — 40,50,60,70,80

MATERIAL — 02 — BUTYL  
 03 — NATURAL RUBBER  
 04 — NEOPRENE  
 05 — NITRILE  
 06 — VITON  
 10 — SILICONE  
 11 — FLUOROSILICONE

VARIANT — SEE DRAWING ABOVE