

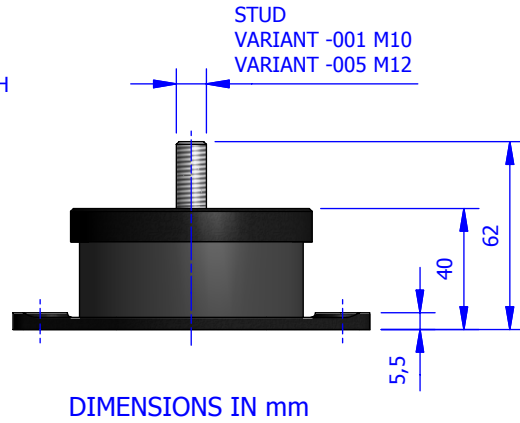
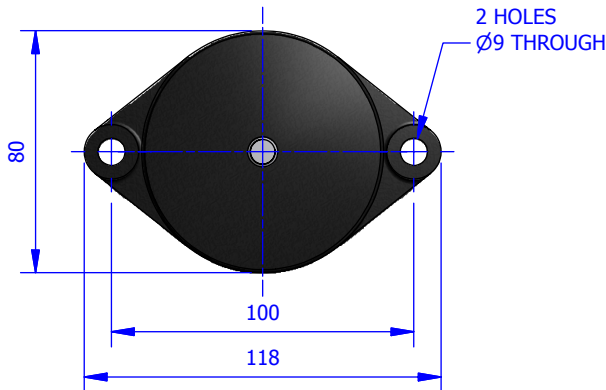
ED35 LOW PROFILE BASE MOUNT



ED35-001-YY-ZZ

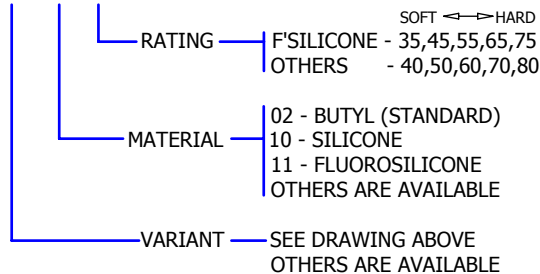


ED35-005-YY-ZZ



NUMBERING SYSTEM

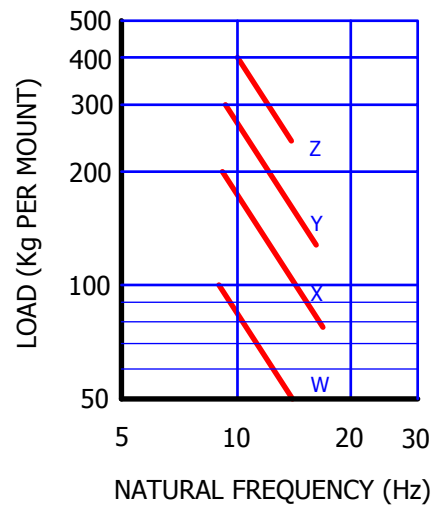
ED35-XXX-YY-ZZ



DEFLECTION CAPABILITY

VERTICAL (AXIAL) ± 3 mm

TYPICAL PERFORMANCE (VERTICAL)



RATING (Kg PER MOUNT = $\frac{\text{Mass of Unit}}{\text{Number of Mounts}}$)

PART NUMBER	LOAD PER MOUNT (Kg)	GRAPH
ED35 - XXX - YY - 50	50 - 100	W
ED35 - XXX - YY - 60	75 - 200	X
ED35 - XXX - YY - 70	150 - 300	Y
ED35 - XXX - YY - 70	250 - 400	Z

MATERIALS

ELASTOMER - SPECIFIED BY PART NUMBER
 METAL - PAINTED CAST IRON BASE AND TOP