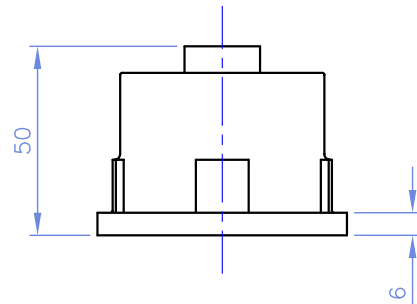
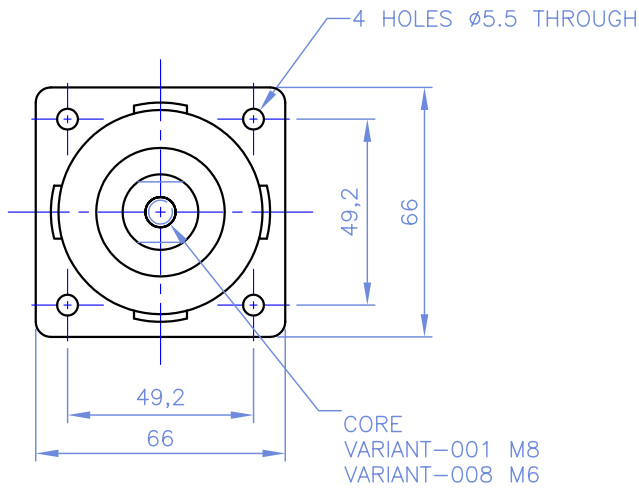


## ED25 LIGHT DUTY SURFACE MOUNT



DIMENSIONS IN mm

RATING	LOAD PER MOUNT Kg
ED25-XXX-YY-45	4 - 9
ED25-XXX-YY-55	7 - 15
ED25-XXX-YY-65	10 - 21
ED25-XXX-YY-75	15 - 30

### DEFLECTION CAPABILITY

VERTICAL  $\pm 6$  mm  
 RADIAL  $\pm 6$  mm

### TYPICAL PERFORMANCE

#### NUMBERING SYSTEM

ED25-XXX-YY-ZZ

