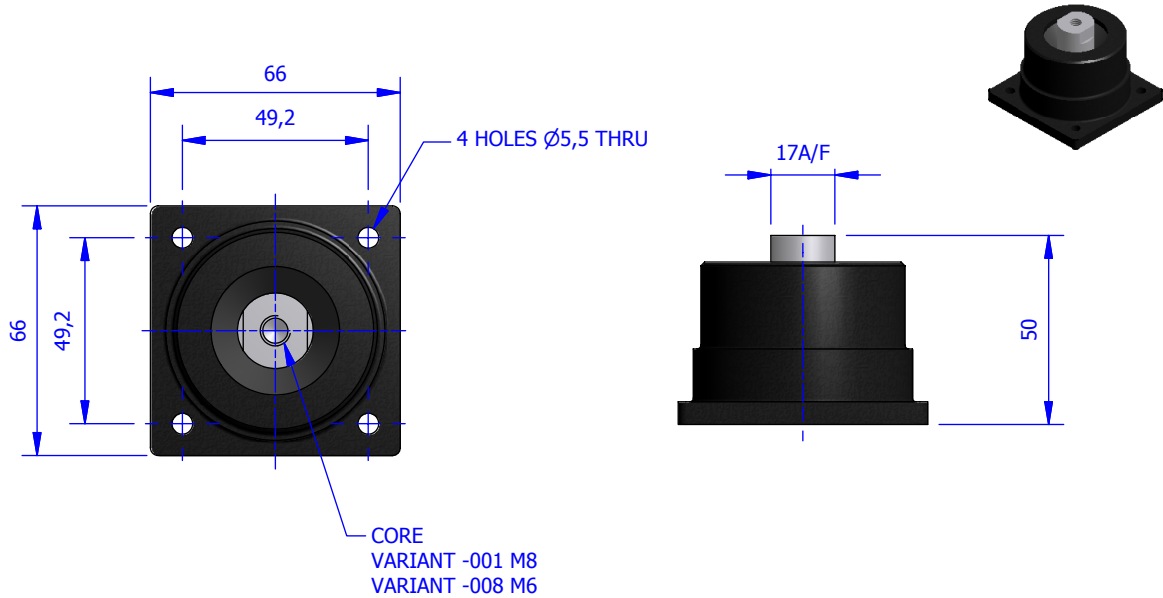
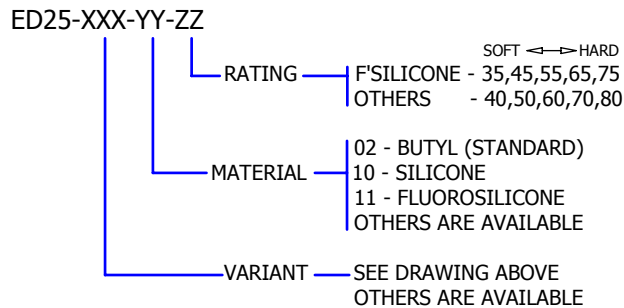


ED25 LIGHT DUTY SURFACE MOUNT



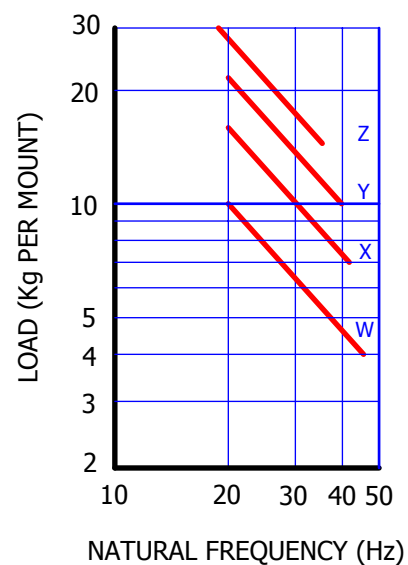
NUMBERING SYSTEM



DEFLECTION CAPABILITY

VERTICAL (AXIAL) ± 6 mm
 RADIAL ± 6 mm

TYPICAL PERFORMANCE (VERTICAL)



RATING (Kg PER MOUNT = $\frac{\text{Mass of Unit}}{\text{Number of Mounts}}$)

PART NUMBER	LOAD PER MOUNT (Kg)	GRAPH
ED25 - XXX - YY - 50	4 - 9	W
ED25 - XXX - YY - 60	7 - 15	X
ED25 - XXX - YY - 70	10 - 21	Y
ED25 - XXX - YY - 80	15 - 30	Z

MATERIALS

ELASTOMER - SPECIFIED BY PART NUMBER
 METAL - PAINTED ALUMINIUM HOUSING
 BRIGHT ZINC PLATED MILD STEEL CORE