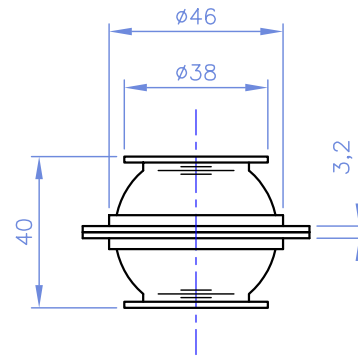
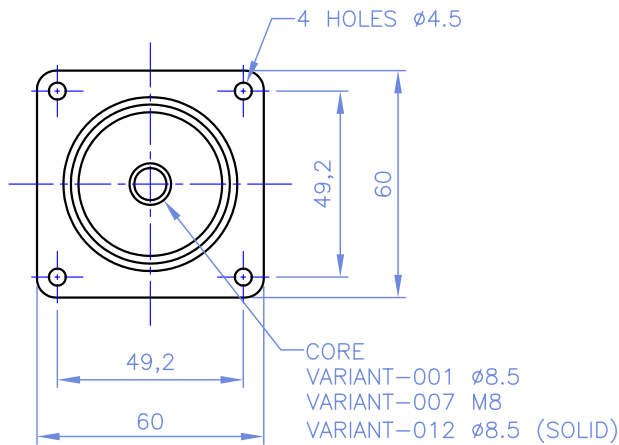


## ED19 MEDIUM DUTY PLATE MOUNT



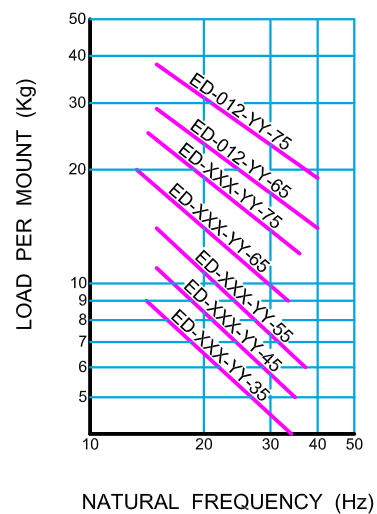
DIMENSIONS IN mm

RATING	LOAD PER MOUNT Kg
ED19-XXX-YY-35	4 - 9
ED19-XXX-YY-45	6 - 11
ED19-XXX-YY-55	7 - 14
ED19-XXX-YY-65	10 - 20
ED19-XXX-YY-75	13 - 25
ED19-012-YY-65	17 - 30
ED19-012-YY-75	22 - 40

### DEFLECTION CAPABILITY

VERTICAL  $\pm 6$  mm  
 RADIAL  $\pm 6$  mm

### TYPICAL PERFORMANCE



### NUMBERING SYSTEM

ED19-XXX-YY-ZZ

RATING — F'SILICONE — 35,45,55,65,75  
 OTHERS — 40,50,60,70,80

MATERIAL — 02 — BUTYL  
 03 — NATURAL RUBBER  
 04 — NEOPRENE  
 05 — NITRILE  
 06 — VITON  
 10 — SILICONE  
 11 — FLUOROSILICONE

VARIANT — SEE DRAWING ABOVE