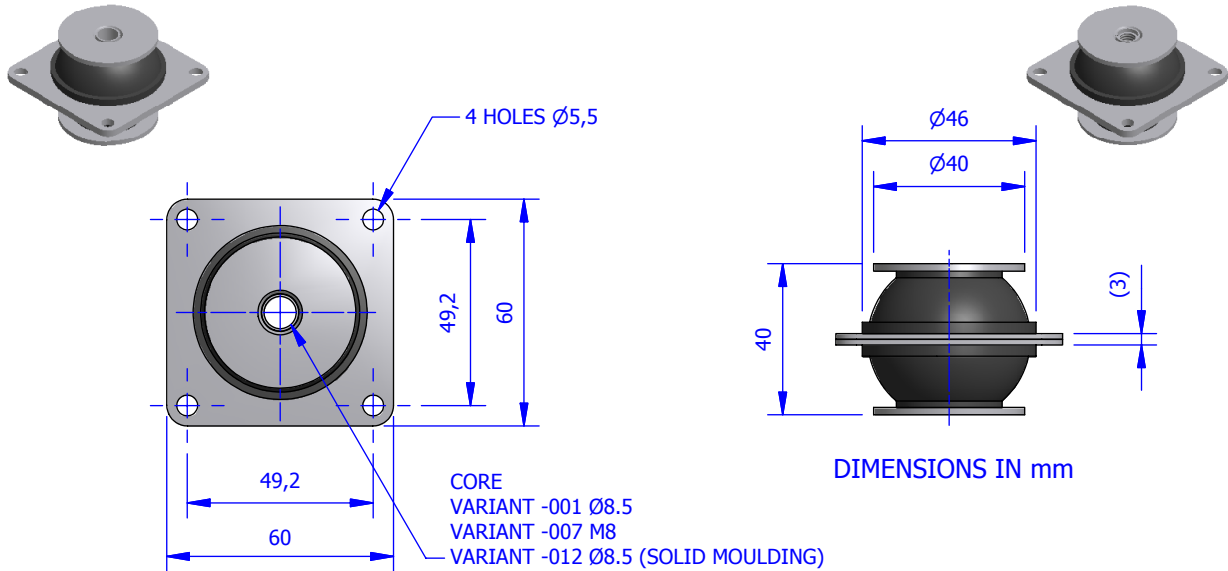
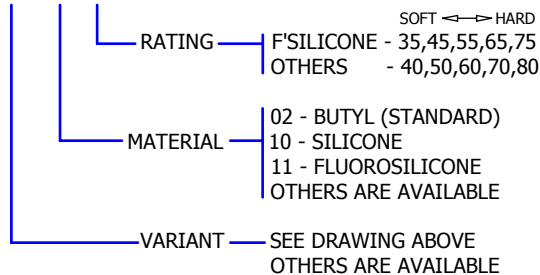


ED19 MEDIUM DUTY PLATE MOUNT



NUMBERING SYSTEM

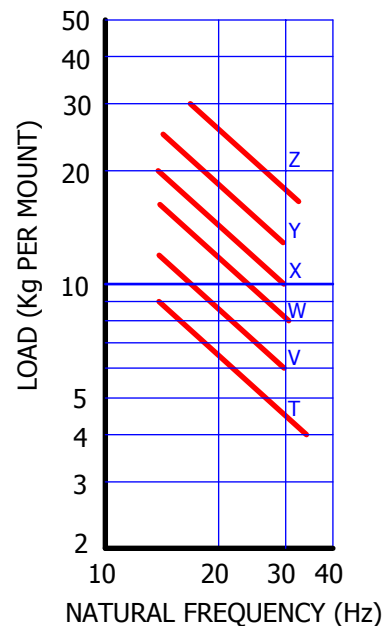
ED19-XXX-YY-ZZ



DEFLECTION CAPABILITY

VERTICAL (AXIAL) ± 6 mm
 RADIAL ± 6 mm

TYPICAL PERFORMANCE (VERTICAL)



RATING (Kg PER MOUNT = $\frac{\text{Mass of Unit}}{\text{Number of Mounts}}$)

PART NUMBER	LOAD PER MOUNT (Kg)	GRAPH
ED19 - XXX - YY - 40	4 - 9	T
ED19 - XXX - YY - 50	6 - 11	V
ED19 - XXX - YY - 60	8 - 14	W
ED19 - XXX - YY - 70	10 - 20	X
ED19 - XXX - YY - 80	13 - 25	Y
ED19 - X12 - YY - 70	17 - 30	Z

MATERIALS

ELASTOMER - SPECIFIED BY PART NUMBER
 METAL - BRIGHT ZINC PLATED MILD STEEL
 OTHERS ARE AVAILABLE