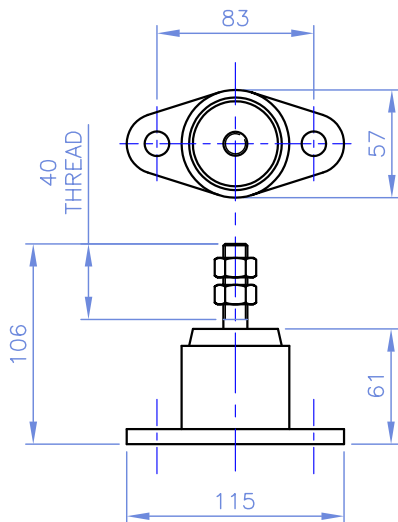
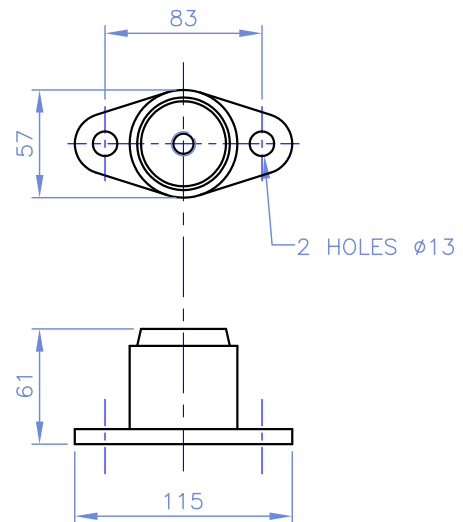


## ED180 ADJUSTABLE HEIGHT MOUNT



VARIANT-001 1/2" UNF  
 VARIANT-201 5/8" UNF



VARIANT-101 1/2" UNF  
 VARIANT-301 5/8" UNF

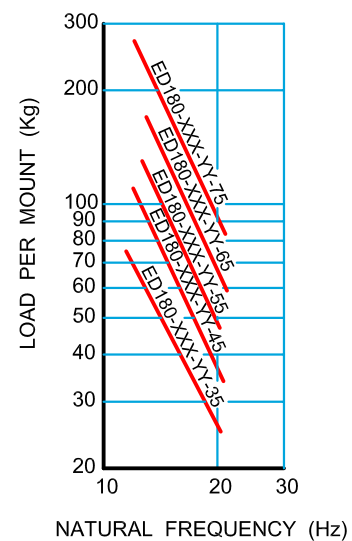
DIMENSIONS IN mm

RATING	LOAD PER MOUNT Kg
ED180-XXX-YY-35	25 - 75
ED180-XXX-YY-45	35 - 110
ED180-XXX-YY-55	48 - 120
ED180-XXX-YY-65	60 - 170
ED180-XXX-YY-75	90 - 270

### DEFLECTION CAPABILITY

VERTICAL ± 3mm

### TYPICAL PERFORMANCE



### NUMBERING SYSTEM

ED180-XXX-YY-ZZ

