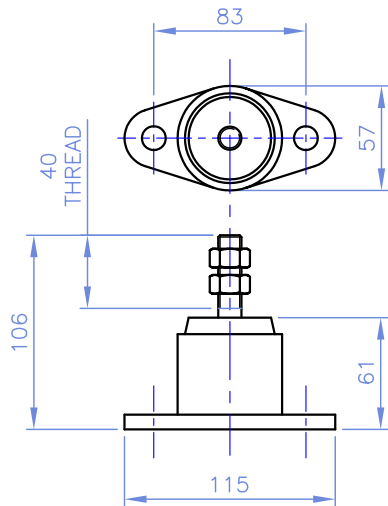
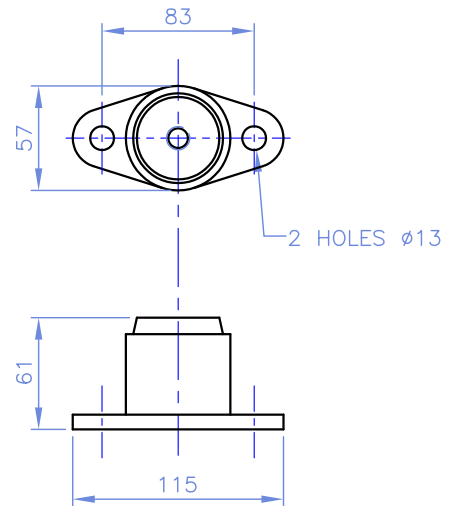


ED180 ADJUSTABLE HEIGHT MOUNT



VARIANT-001 1/2" UNF
 VARIANT-201 5/8" UNF



VARIANT-101 1/2" UNF
 VARIANT-301 5/8" UNF

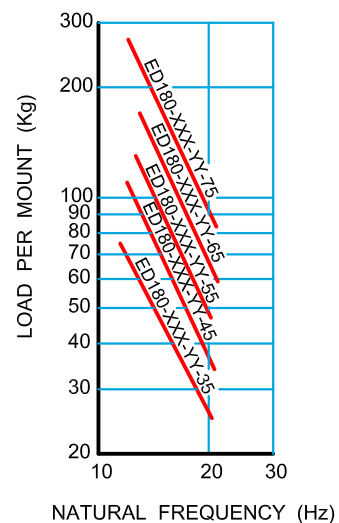
DIMENSIONS IN mm

| RATING | LOAD PER MOUNT Kg |
|-----------------|-------------------|
| ED180-XXX-YY-35 | 25 - 75 |
| ED180-XXX-YY-45 | 35 - 110 |
| ED180-XXX-YY-55 | 48 - 120 |
| ED180-XXX-YY-65 | 60 - 170 |
| ED180-XXX-YY-75 | 90 - 270 |

DEFLECTION CAPABILITY

VERTICAL ± 3 mm

TYPICAL PERFORMANCE



NUMBERING SYSTEM

ED180-XXX-YY-ZZ

