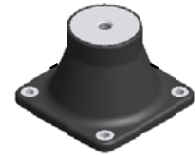
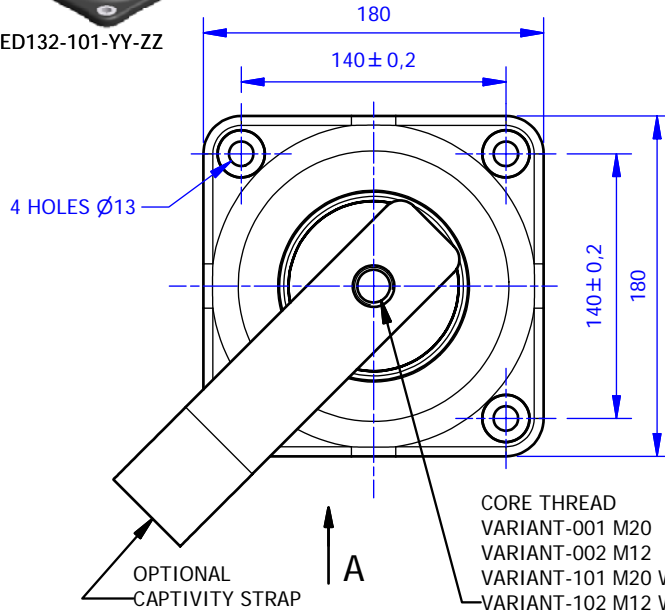


ED132-101-YY-ZZ

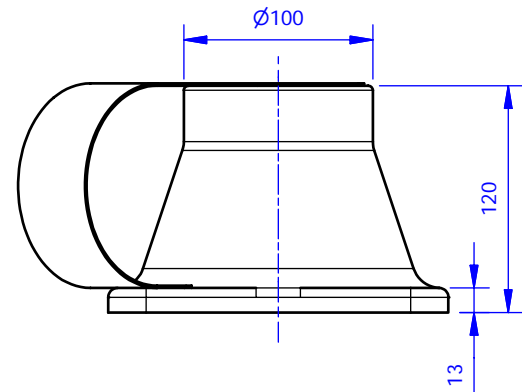
ED132 HIGH DEFLECTION SHOCK MOUNT



ED132-001-YY-ZZ



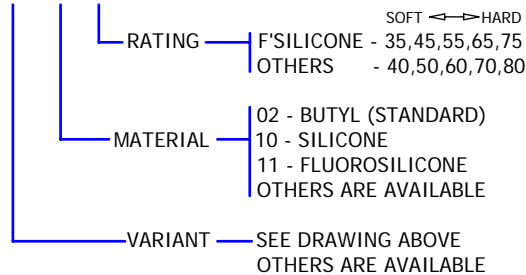
CORE THREAD
 VARIANT-001 M20
 VARIANT-002 M12
 VARIANT-101 M20 WITH CAPTIVITY STRAP
 VARIANT-102 M12 WITH CAPTIVITY STRAP



VIEW A
 DIMENSIONS IN mm

NUMBERING SYSTEM

ED132-XXX-YY-ZZ

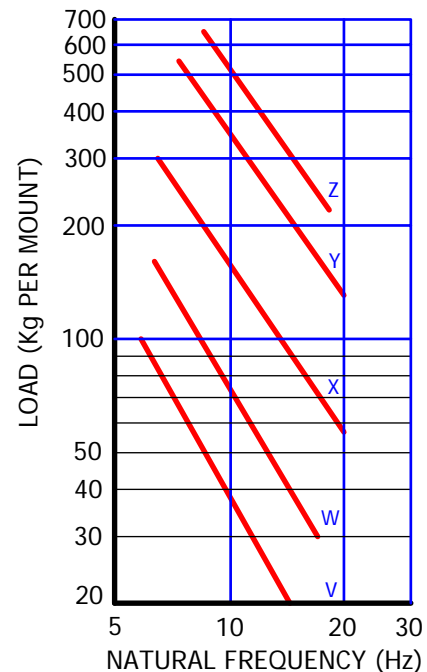


DEFLECTION CAPABILITY

VERTICAL (AXIAL) ± 15 mm

RADIAL ± 10 mm

TYPICAL PERFORMANCE (VERTICAL)



RATING (Kg PER MOUNT)

PART NUMBER	LOAD PER MOUNT Kg	GRAPH
ED132 - XXX - YY - 40	20 - 100	V
ED132 - XXX - YY - 50	30 - 150	W
ED132 - XXX - YY - 60	60 - 300	X
ED132 - XXX - YY - 70	150 - 550	Y
ED132 - XXX - YY - 80	250 - 650	Z

MATERIALS

ELASTOMER - SPECIFIED BY PART NUMBER
 METAL - ALUMINIUM BASE AND BOSS
 STAINLESS STEEL CAPTIVITY STRAP
 OTHERS ARE AVAILABLE