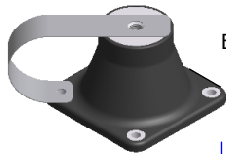
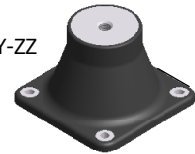


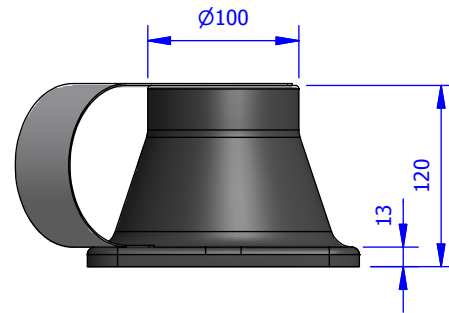
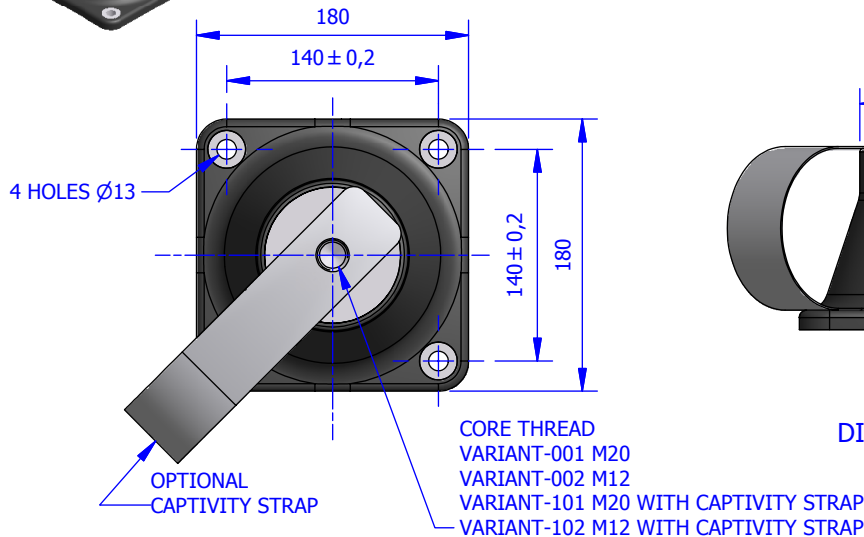
## ED132 HIGH DEFLECTION SHOCK MOUNT



ED132-101-YY-ZZ

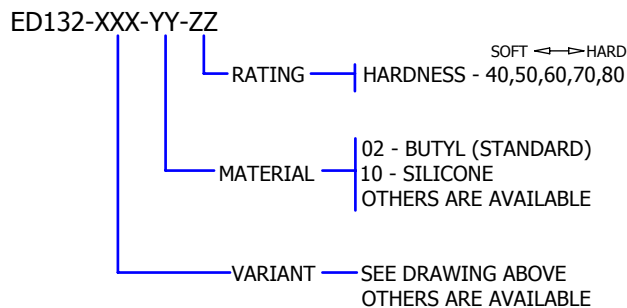


ED132-001-YY-ZZ



DIMENSIONS IN mm

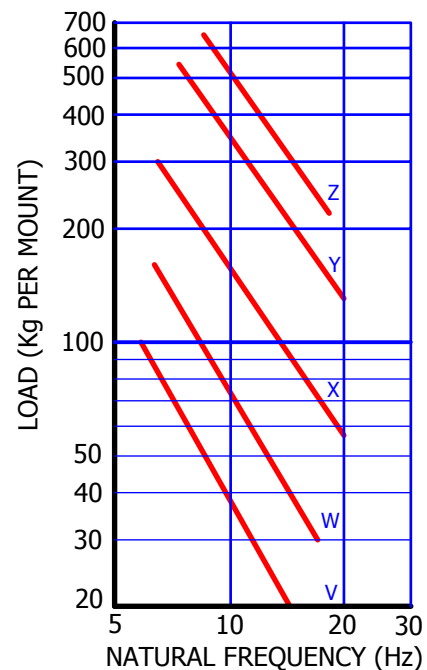
### NUMBERING SYSTEM



### DEFLECTION CAPABILITY

VERTICAL (AXIAL) ± 15 mm  
 RADIAL ± 10 mm

### TYPICAL PERFORMANCE (VERTICAL)



RATING (Kg PER MOUNT =  $\frac{\text{Mass of Unit}}{\text{Number of Mounts}}$ )

PART NUMBER	LOAD PER MOUNT (Kg)	GRAPH
ED132 - XXX - YY - 40	20 - 100	V
ED132 - XXX - YY - 50	30 - 150	W
ED132 - XXX - YY - 60	60 - 300	X
ED132 - XXX - YY - 70	150 - 550	Y
ED132 - XXX - YY - 80	250 - 650	Z

### MATERIALS

ELASTOMER - SPECIFIED BY PART NUMBER  
 METAL - ALUMINIUM BASE AND BOSS  
 STAINLESS STEEL CAPTIVITY STRAP  
 OTHERS ARE AVAILABLE