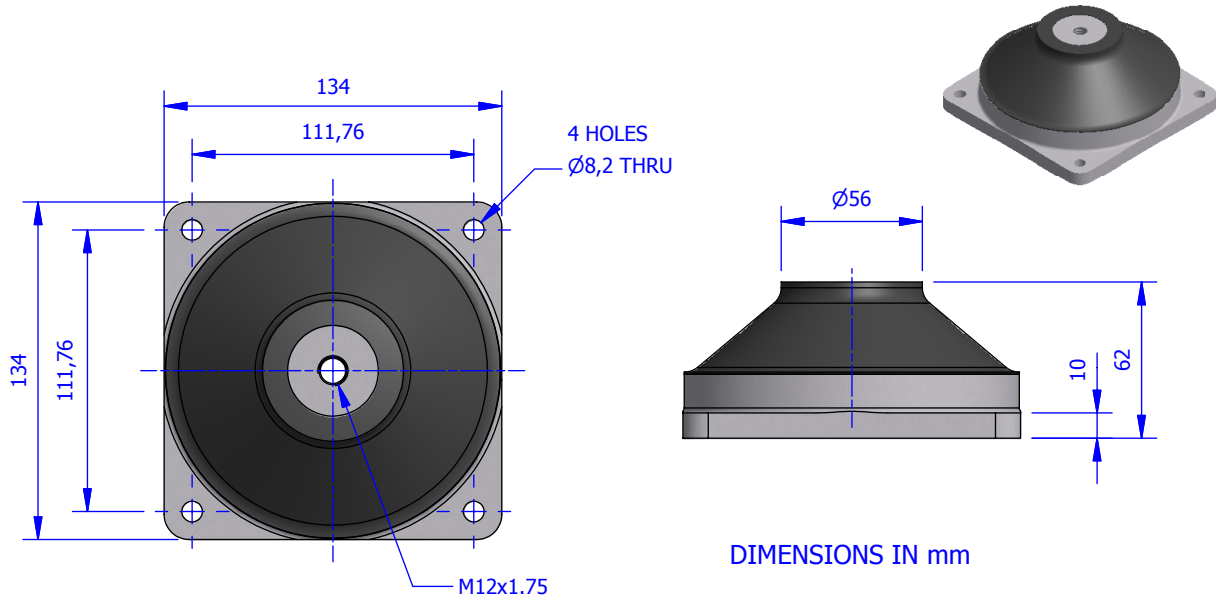
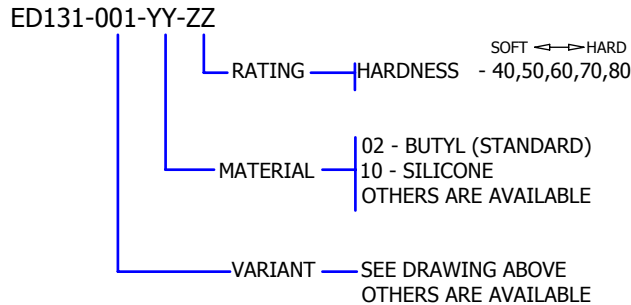


ED131 LOW PROFILE FOOT MOUNT



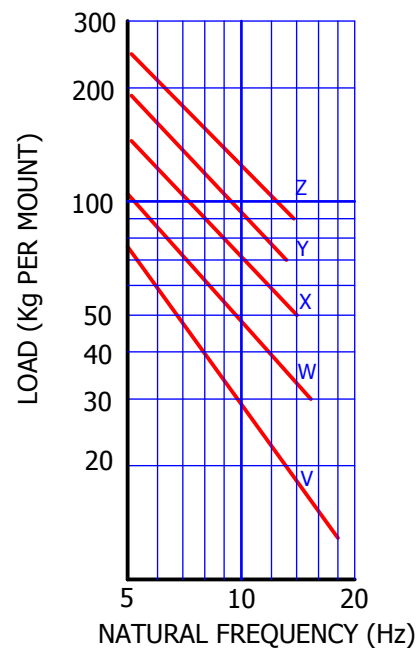
NUMBERING SYSTEM



DEFLECTION CAPABILITY

VERTICAL (AXIAL) ± 12 mm
 RADIAL ± 8 mm

TYPICAL PERFORMANCE (VERTICAL)



RATING (Kg PER MOUNT = $\frac{\text{Mass of Unit}}{\text{Number of Mounts}}$)

PART NUMBER	LOAD PER MOUNT (Kg)	GRAPH
ED131 - 001 - YY - 40	15 - 80	V
ED131 - 001 - YY - 50	30 - 110	W
ED131 - 001 - YY - 60	50 - 150	X
ED131 - 001 - YY - 70	70 - 200	Y
ED131 - 001 - YY - 80	90 - 250	Z

MATERIALS

ELASTOMER - SPECIFIED BY PART NUMBER
 METAL - ALUMINIUM BASE AND BOSS