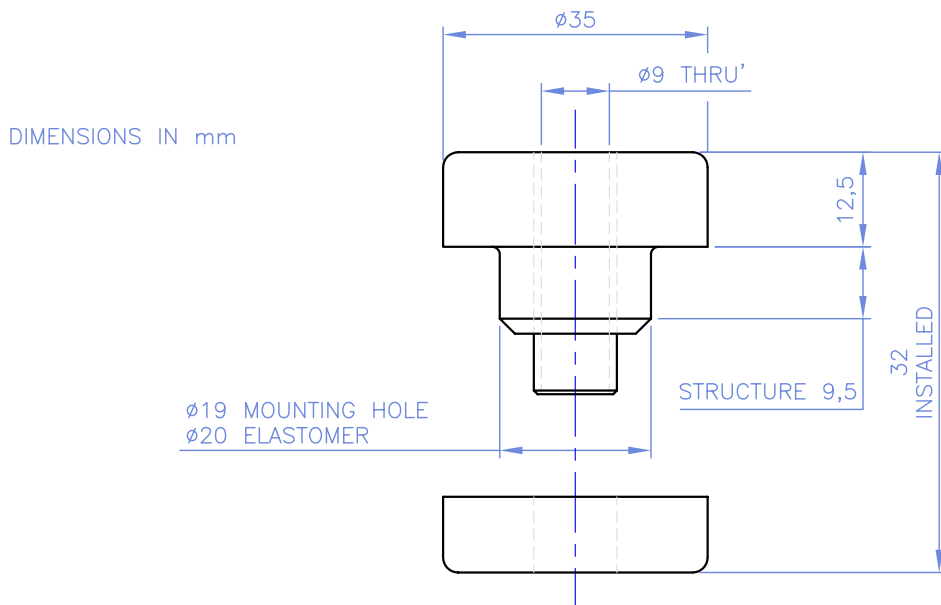


ED126 BUSH MOUNT

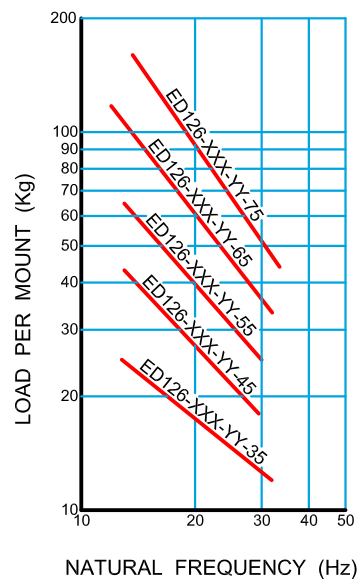


RATING	LOAD PER MOUNT Kg
ED126-XXX-YY-35	15 - 25
ED126-XXX-YY-45	20 - 45
ED126-XXX-YY-55	25 - 65
ED126-XXX-YY-65	35 - 115
ED126-XXX-YY-75	45 - 155

DEFLECTION CAPABILITY

VERTICAL ± 2 mm
 RADIAL ± 1 mm

TYPICAL PERFORMANCE



NUMBERING SYSTEM

ED126-XXX-YY-ZZ

