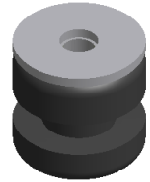
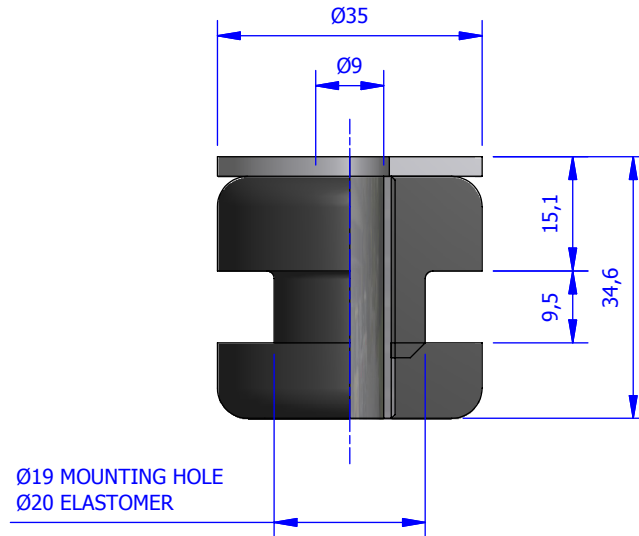


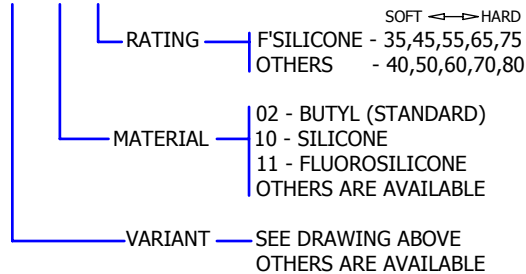
ED126 BUSH MOUNT

DIMENSIONS IN mm



NUMBERING SYSTEM

ED126-XXX-YY-ZZ

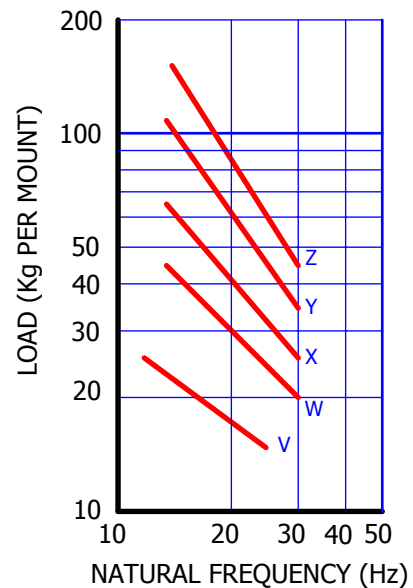


DEFLECTION CAPABILITY

VERTICAL (AXIAL) ± 2 mm

RADIAL ± 1 mm

TYPICAL PERFORMANCE (VERTICAL)



RATING (kg PER MOUNT = $\frac{\text{Mass of Unit}}{\text{Number of Mounts}}$)

PART NUMBER	LOAD PER MOUNT (Kg)	GRAPH
ED126 - XXX - YY - 40	15 - 25	V
ED126 - XXX - YY - 50	20 - 45	W
ED126 - XXX - YY - 60	25 - 65	X
ED126 - XXX - YY - 70	35 - 115	Y
ED126 - XXX - YY - 80	45 - 155	Z

MATERIALS

ELASTOMER - SPECIFIED BY PART NUMBER
 METAL - BRIGHT ZINC PLATED STEEL
 OTHERS ARE AVAILABLE