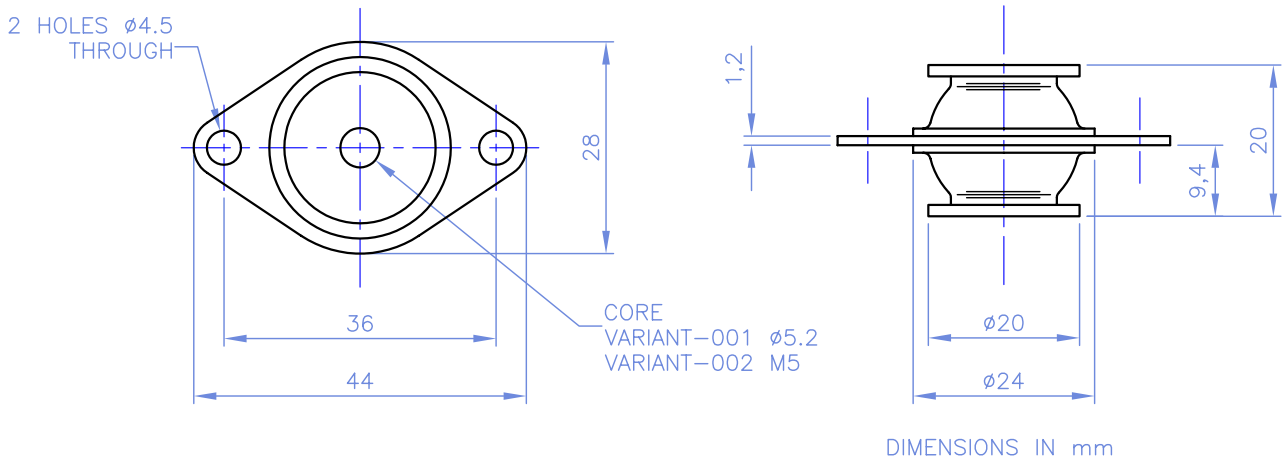


## ED125 MINIATURE PLATE MOUNT

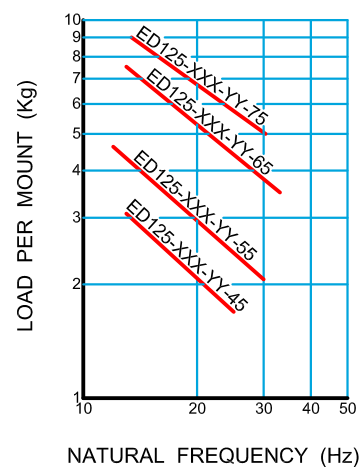


RATING	LOAD PER MOUNT Kg
ED125-XXX-YY-35	1.3 – 2.5
ED125-XXX-YY-45	1.8 – 3.8
ED125-XXX-YY-55	2.5 – 5
ED125-XXX-YY-65	3.5 – 7
ED125-XXX-YY-75	5 – 9

### DEFLECTION CAPABILITY

VERTICAL  $\pm 3$  mm  
 RADIAL  $\pm 3$  mm

### TYPICAL PERFORMANCE



### NUMBERING SYSTEM

ED125-XXX-YY-ZZ

