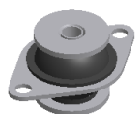


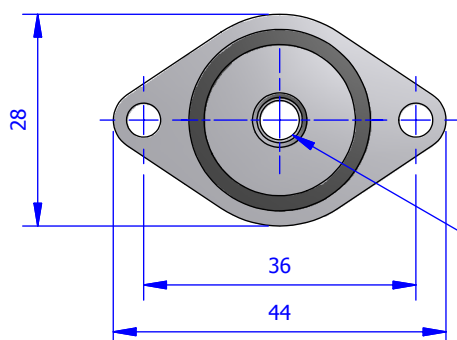
ED125 MINIATURE PLATE MOUNT



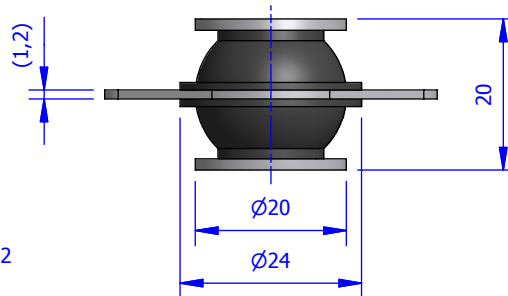
ED125-001-YY-ZZ



ED125-002-YY-ZZ



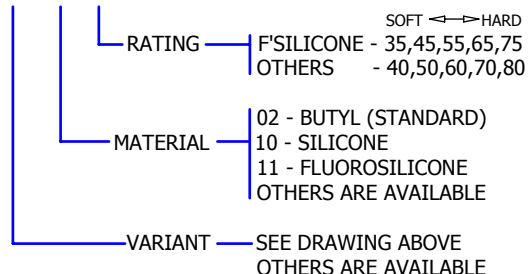
CORE
 VARIANT -001 Ø5.2
 VARIANT -002 M5
 VARIANT -008 M5 (STAINLESS)
 VARIANT -009 Ø5.2 (STAINLESS)



DIMENSIONS IN mm

NUMBERING SYSTEM

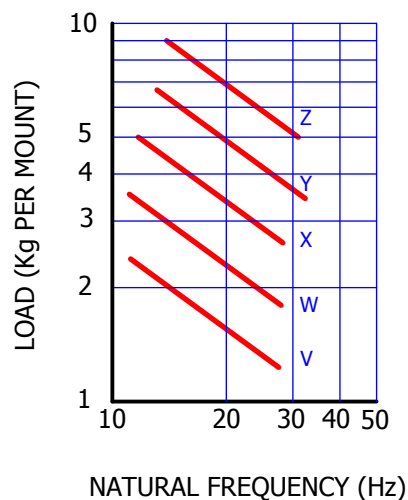
ED125-XXX-YY-ZZ



DEFLECTION CAPABILITY

VERTICAL (AXIAL) ± 3 mm
 RADIAL ± 3 mm

TYPICAL PERFORMANCE (VERTICAL)



RATING (Kg PER MOUNT = $\frac{\text{Mass of Unit}}{\text{Number of Mounts}}$)

PART NUMBER	LOAD PER MOUNT (Kg)	GRAPH
ED125 - XXX - YY - 40	1.3 - 2.5	V
ED125 - XXX - YY - 50	1.8 - 3.8	W
ED125 - XXX - YY - 60	2.5 - 5	X
ED125 - XXX - YY - 70	3.5 - 7	Y
ED125 - XXX - YY - 80	5 - 9	Z

MATERIALS

ELASTOMER - SPECIFIED BY PART NUMBER
 METAL - BZP MILD STEEL
 OTHERS ARE AVAILABLE